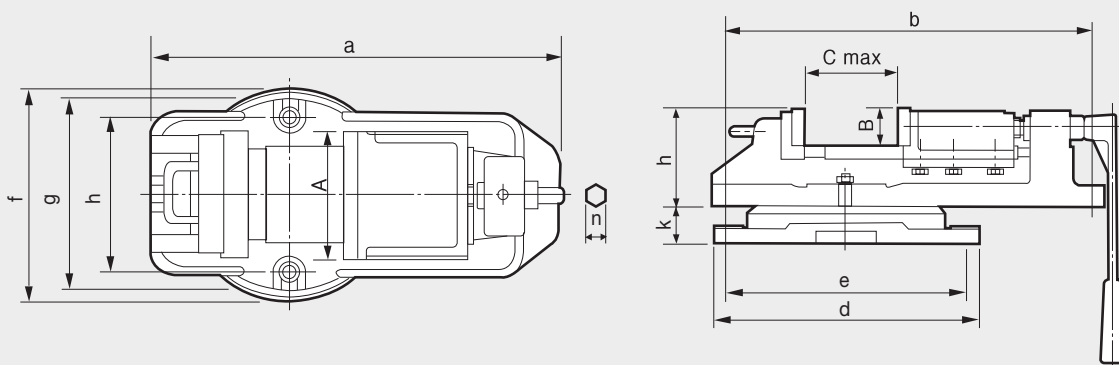


VS

Standard Machine Vise

- Standard machine vise

MACHINE VISE



Dimensions

	A	B	C	a	b	d	e	f	g	h	j	k	m	n
VS-150(6")	150	45	110	470	440	320	288	245	220	180	115	45	283	18
VS-175(7")	175	50	132	547	518	350	318	280	245	198	120	50	340	21
VS-200(8")	200	55	160	618	573	400	358	316	280	228	130	55	340	21
VS-250(10")	250	75	199	760	716	450	406	370	332	278	168	60	380	22

Specifications

Type	Max. Opening	Weight [kgf]		Operating Swivel Base	Mounting Key Size
	[mm]	Body	Table	[mm]	[mm]
VS-150(6")	110	34	10.8	SB-150T	34x16x10
VS-175(7")	132	46.7	14.5	SB-175T	34x16x10
VS-200(8")	160	57.5	20.5	SB-200T	36x20x12
VS-250(10")	199	110	36.5	SB-250T	36x20x12

※ Specifications are subject to change without notice.

※ Standard accessories include handle (1ea), socket (1ea), T-blocks (2ea), T-bolts (2sets).

※ Swivel-base is optional.