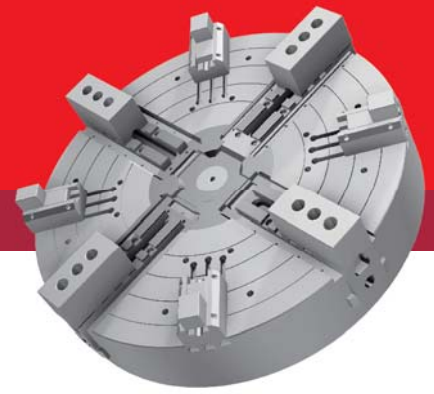


HCWF

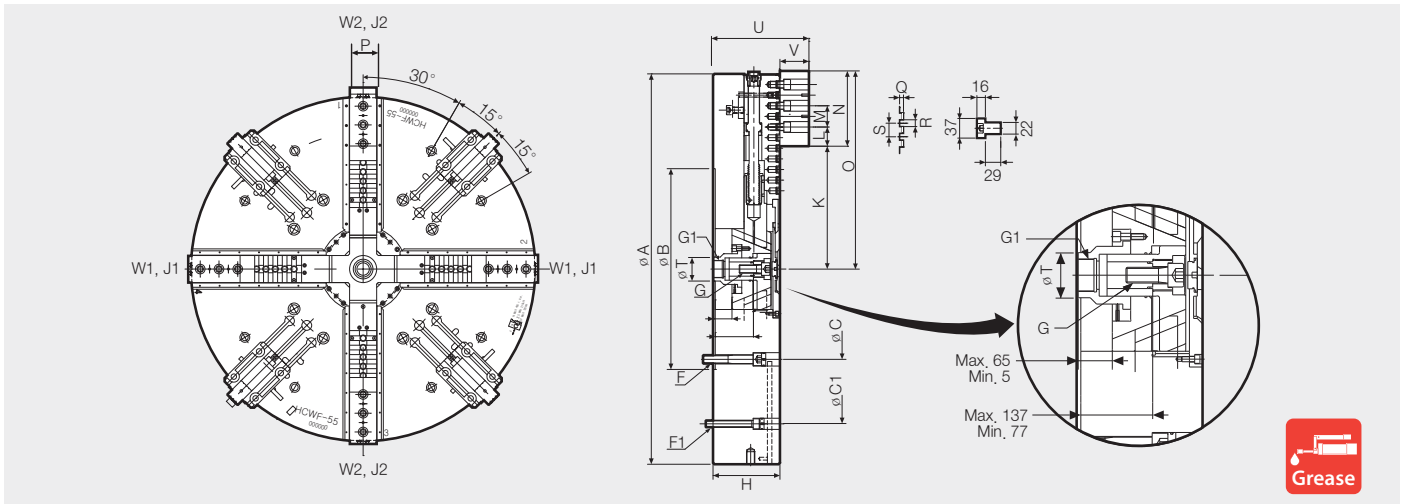
4-Jaw Double Wedge Hydraulic Chuck



- Available independently with two jaws which is based on double wedge type
- Ideal for variant workpieces such as rectangle, round type
- 2 JAW+2 JAW (Operated by Hydraulic system), 4 Jaw (Operated by manual system)

HYDRAULIC CHUCK

Power Chuck



It is recommended to grease chucks at least twice a day in order to maximize longevity.

Dimensions

	ΦA	ΦB	ΦC	ΦC1	D	E	F	F1	G	G1	H					
HCWF-55	1400	720	647.6	1110	26	40	M30x180	M24x170	M30x80	M62x2.0	240					
	Kmax.	Kmin.	L1max.	L1min.	L2max.	L2min.	M	N	Omax.	P	Q	R	S	ΦT	U	V
HCWF-55	250	226	65	5	137	77	76.2	270	716	85	11	19.025	38.1	110	343	104

Specifications

Type	2 Step Manual Jaw Function	Jaw Stroke Dia.	Manual Setting	Manual Jaw Stroke Dia.	Plunger Stroke	Grip Dia.		Max. Permissible Input Force	Max. Static Gripping Force	Max. R.P.M.	Weight	GD ²	Operating Cylinder
		[mm]	(Radial)	[mm]	[mm]	Max.	Min.	[kN]	[kN]	[min ⁻¹]	[Kgf]	[N-m ² (kgf.m ²)]	
HCWF-55	☉	48	40	60	60	1400	-	120 (W1,W2)	210 (J1,J2)	400	1400	355(36.22)	DYV-21560

※☉ : Option