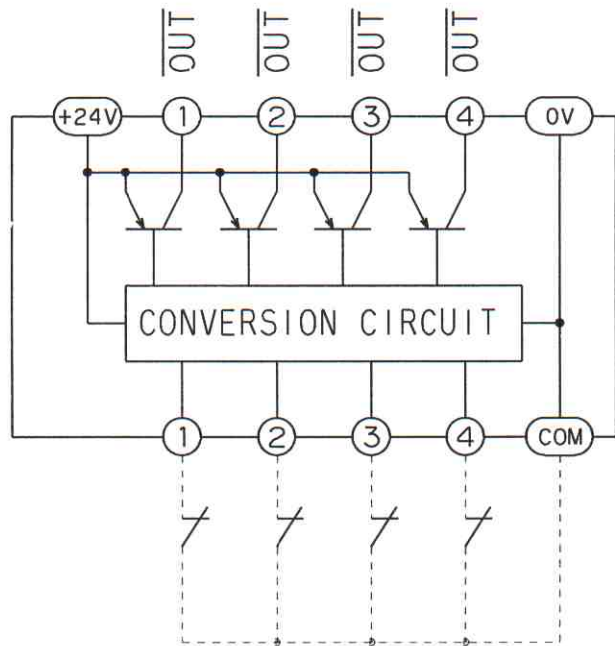


**SPECIFICATION**

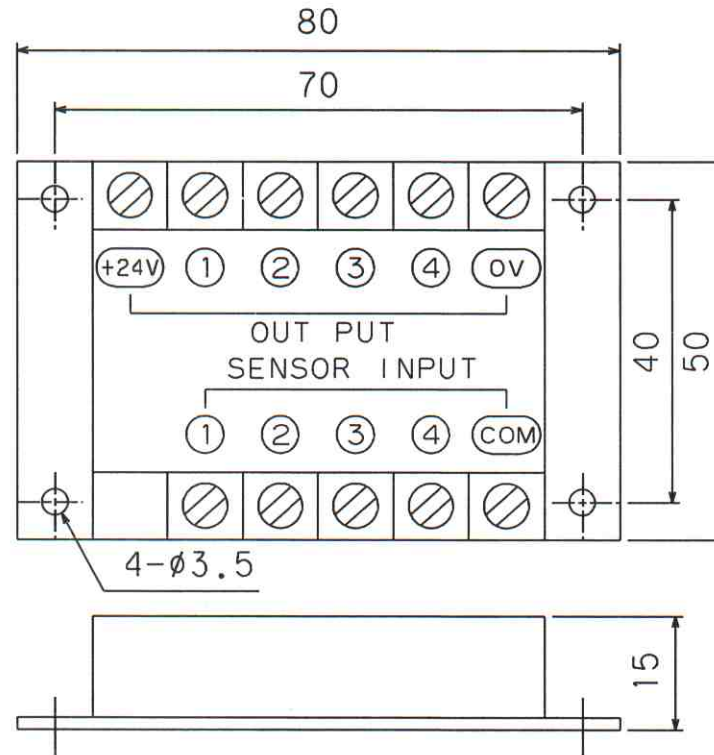
TYPE : BA-4A  
 IMPUT FORMULA : CONTACT INPUT,4 CIRCUITS  
 OUTPUT DIMENTIONS : DC24V 0.5A  
 OUTPUT : INVERTED OUTPUT(NC→NO)  
 CONSUMPTION CURRENT : 30mA  
 POWER SUPPLY VOLTAGE : DC24V±10%  
 OPERATING TEMPERATURE LIMIT : -10℃~50℃

NOTE: SINCE THIS UNIT IS NOT WATER-RESISTANT,INSTALL INSIDE AN ELECTRICAL EQUIPMENT CASE

CIRCUIT DIAGRAM



SKETCH DRAWING



	NAME	POLARITY CONVERTOR UNIT
	DRAWING NUMBER	BA-4A
1/1	METROL	

APR	CHK	DRA
	<i>Am</i>	05.10.04
		HIJIKATA