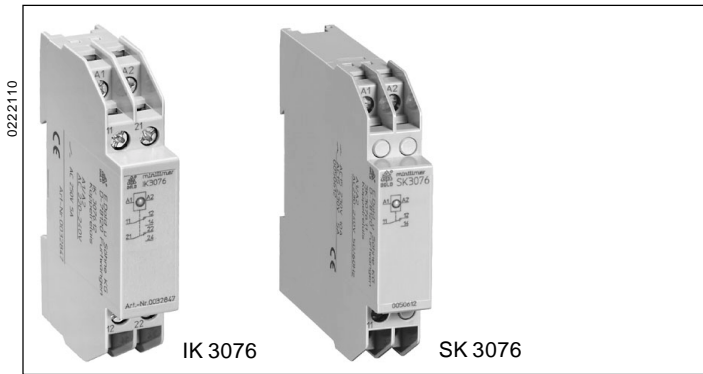
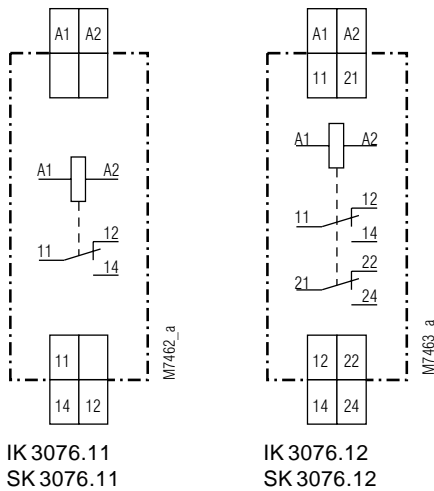


## Interface relay IK 3076, SK 3076 Input interface relay - Output interface relay

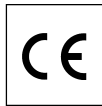


- According to IEC/EN 60 255, IEC/EN 61 810-1
- **Devices available in 2 enclosure version:**  
**IK 3076:** depth 59 mm with terminals at the bottom for installation systems and industrial distribution systems according to DIN 43 880  
**SK 3076:** depth 98 mm with terminals at the top for cabinets with mounting plate and cable duct
- Protective separation according to IEC/EN 61 140, IEC/EN 60 947-1 in configuration with 1 changeover contact
- With input wiring protection against voltage surges
- With 1 or 2 changeover contacts as options
- High permanent current  $I_{th}$
- For switching low loads as an option
- LED indicator
- Width 17,5 mm

### Circuit diagrams



### Approvals and marking



### Applications

- Link between the control and power levels
- For separating potentials

### Indicator

LED: on when the relay is supplied with current

### Technical data

#### Input

<b>Nominal voltage <math>U_N</math>:</b>	AC/DC 8, 12, 24, 48 V
	AC 110 ... 130, 230 ... 240 V
<b>Voltage range:</b>	0,8 ... 1,1 $U_N$
	0,9 ... 1,25 $U_N$ in battery operating mode
<b>Nominal consumption:</b>	DC 24 V      AC 230 V
	0,5 W      0,8 VA
<b>Nominal frequency:</b>	50 / 60 Hz
<b>Frequency range:</b>	$\pm 5 \%$

#### Output

<b>Contacts</b>	
IK 3076.11, SK 3076.11:	1 changeover contact
IK 3076.12, SK 3076.12:	2 changeover contacts
<b>Operate/release time:</b>	< 10 ms / < 20 ms
<b>Thermal current <math>I_{th}</math></b>	
IK 3076.11, SK 3076.11:	10 A
IK 3076.12, SK 3076.12:	5 A
<b>Switching capacity</b>	IEC/EN 60 947-5-1
to AC 15:	
NC contact:	1 A / AC 230 V
NO contact:	3 A / AC 230 V
<b>Electrical life</b>	IEC/EN 60 947-5-1
AC 15 at 3 A, AC 230 V	
IK 3076.11, SK 3076.11:	1 x 10 <sup>5</sup> switching cycles
IK 3076.12, SK 3076.12:	1 x 10 <sup>5</sup> switching cycles
<b>Permissible switching frequency:</b>	6 000 switching cycles/h
<b>Short circuit strength max. fuse rating</b>	
IK 3076.11, SK 3076.11:	10 A gL      IEC/EN 60 947-5-1
IK 3076.12, SK 3076.12:	4 A gL      IEC/EN 60 947-5-1
<b>Mechanical life:</b>	> 30 x 10 <sup>6</sup> switching cycles

## Technical data

### General data

<b>Operating mode:</b>	Continuous operation	
<b>Temperature range:</b>	- 20 ... + 60°C	
<b>Clearance and creepage distances</b>		
overvoltage category/contamination level:	IK 3076.11, SK 3076.11:	
Input/output:	6 kV / 2	IEC 60 664-1
IK 3076.12, SK 3076.12:		
Input/output:	4 kV / 2	IEC 60 664-1
Contacts:	2,5 kV / 2	IEC 60 664-1
	only for 1-phase systems (same phase)	

### EMC

Electrostatic discharge:	8 kV (air)	IEC/EN 61 000-4-2
HF irradiation:	10 V/m	IEC/EN 61 000-4-3
Fast transients:	2 kV	IEC/EN 61 000-4-4

### Surge voltages between

wires for power supply:	1 kV	IEC/EN 61 000-4-5
between wire and ground:	2 kV	IEC/EN 61 000-4-5
HF-wire guided:	10 V	IEC/EN 61 000-5-6

Interference suppression: Limit value class B EN 55011

**Degree of protection:** Housing: IP 40 IEC/EN 60 529  
Terminals: IP 20 IEC/EN 60 529

**Housing:** Thermoplastic with V0 behaviour according to UL Subject 94

**Vibration resistance:** Amplitude 0,35 mm frequency 10 ... 55 Hz IEC/EN 60 068-2-6

**Climate resistance:** 20 / 060 / 04 IEC/EN 60 068-1

**Terminal designation:** EN 50 005

**Wire connection:** 2 x 2,5 mm<sup>2</sup> solid or 2 x 1,5 mm<sup>2</sup> stranded ferruled DIN 46 228-1/-2/-3/-4

**Wire fixing:** Flat terminals with self-lifting clamping piece IEC/EN 60 999-1  
DIN rail IEC/EN 60 715

### Mounting:

#### Weight

IK 3076: 72 g

SK 3076: 91 g

### Dimensions

#### Width x height x depth

IK 3076: 17,5 x 89 x 59 mm

SK 3076: 17,5 x 90 x 98 mm

## Standard type

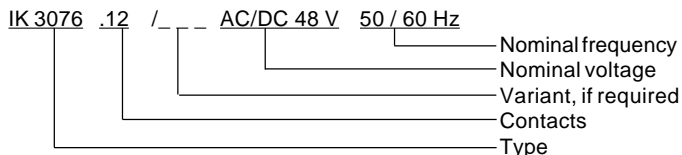
IK 3076.12 AC/DC 24 V 50/60 Hz	
Article number:	0033445 stock item
SK 3076.12 AC/DC 24 V 50/60 Hz	
Article-number:	
• Output:	2 changeover contacts
• Nominal voltage $U_N$ :	AC/DC 24 V
• Width:	17,5 mm

## Variants

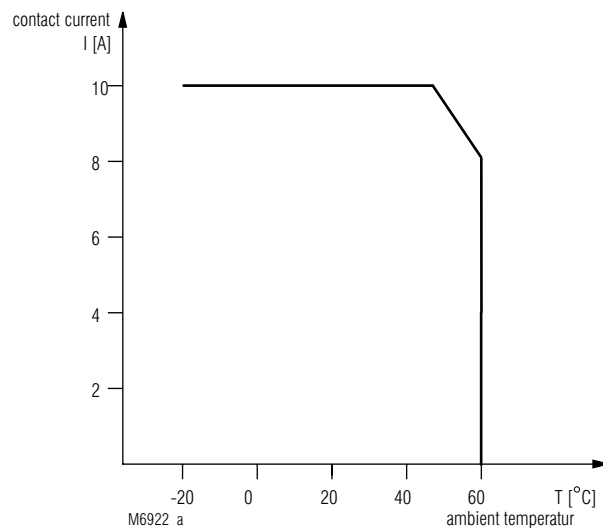
IK 3076.16/60, SK 3076.16/60:	with CSA approval
IK 3076.___/004, SK 3076.___/004:	for low loads of 0,1 ... 60 V, 1 mA ... 300 mA
IK 3076.___/007, SK 3076.___/007:	safe release voltage approx. 27 % of $U_N$

## Variants

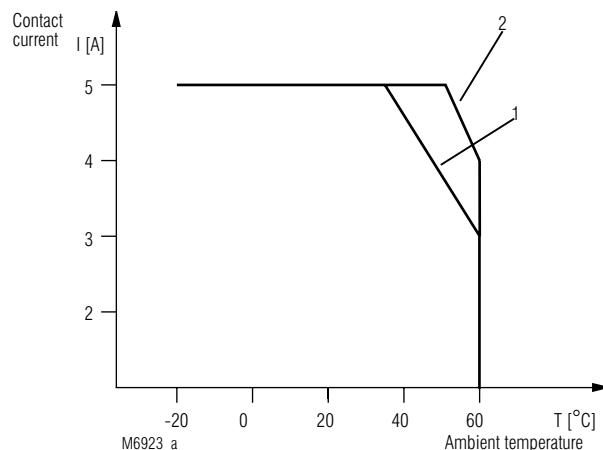
### Ordering example for variants



## Characteristics



Permanent current limit curve:  
Permissible contact current of IK 3076.11, SK 3076.11 in relation to the ambient temperature



Permanent current limit curve:  
Permissible contact current of IK 3076.12, SK 3076.12 in relation to the ambient temperature

- 1 Nominal voltage, mounted without distance, current supplied to both contacts
- 2 Nominal voltage, mounted without distance, current only supplied to one contact

## Specifiaction for tender for IK 3076

Interface relay according to IEC/EN 60 255, IEC/EN 61 810-1 to be built in consumer units, 1 changeover contact, protective separation according to IEC/EN 61 140, IEC/EN 60 947-1 and input wiring protection against voltage surges, LED- indicator. Width 17,5 mm.

Type IK 3076.11  
Manufactured by: E. DOLD & SÖHNE KG

nterface relay according to IEC/EN 60 255, IEC/EN 61 810-1 to be built in consumer units, 2 changeover contacts, input wiring protection against voltage surges, LED- indicator. Width 17,5 mm.

Type IK 3076.12  
Manufactured by: E. DOLD & SÖHNE KG