

Technical Data

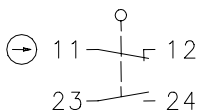
Plastic bodied limit switch

Series TI2

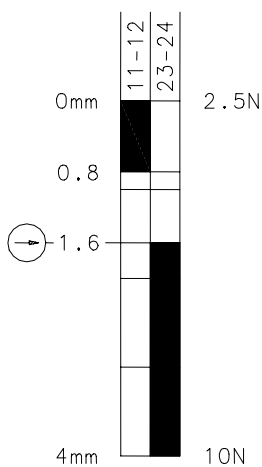
Description **TI2-U1Z RIW**



Article number **6088117007**

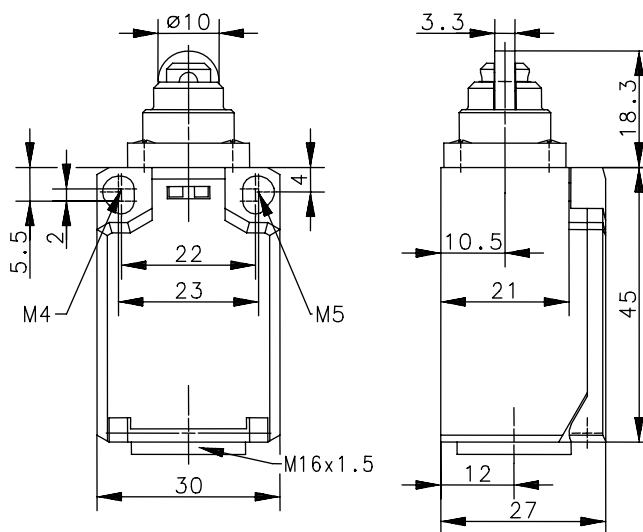
Operating symbol




Operating diagram



 On
  Off
 Tolerance:
 Operating point $\pm 0,25\text{mm}$;
 Actuating force $\pm 10\%$



Electrical data

| | | |
|---------------------------------|---|-----------------------------------|
| Rated insulation voltage | U_i | 250V AC |
| Conv. thermal current | I_{the} | 10A |
| Rated operational voltage | U_e | 240V |
| Utilization category | | AC-15, U_e / I_e 240V/3A |
| Direct opening action |  | acc. to IEC/EN 60947-5-1, Annex K |
| Short-circuit protective device | | Fuse 6A gL/gG |
| Protection class | | II, totally insulated |

This document will not become the contractual basis; the details included herein do not constitute any descriptions of expected conditions, so that warranties/claims for defects on account of possible variations of the actual qualities from the qualities described herein are explicitly excluded. All rights reserved. Specifications subject to change without notice!

Date of issue: 31.05.2007 / Page 1 of 2
 Document : 6088117007_en / Last update : 2 / 2384-07

Technical Data

Plastic bodied limit switch

Mechanical data

| | |
|--------------------------|--|
| Enclosure | PBT |
| Cover | PA6.6 |
| Actuator | Roller (thermoplastic) |
| Ambient air temperature | -30°C ... +80°C |
| Contact type | 1 NC, 1 NO (Zb) |
| Mechanical life | 3 x 10 ⁶ switching cycles |
| Switching frequency | ≤ 100/min |
| Assembly | 2 x M4 or 2 x M5 fixed position for safety applications |
| Connection | 4 screw connections (M3,5) |
| Conductor cross-sections | Solid: 0.5 ... 1.5mm ² Litz wire with ferrules: 0.5 ... 1.5mm ² |
| Cable entrance | 1 x M16x1,5 |
| Weight | ≈ 0,05kg |
| Installation position | Operator definable |
| Protection type | IP65 acc. to EN 60529; DIN VDE 0470 T1 |

Actuation

The actuating device is preferably started from 2 sides.

Standards

VDE 0660 T100, DIN EN 60947-1, IEC 60947-1
VDE 0660 T200, DIN EN 60947-5-1, IEC 60947-5-1

EU Conformity

CE

Approvals

BG
cCSA_{US} A300, Q300 (same polarity)

Notes

The degree of protection (IP code) specified applies solely to a property closed cover and the use of an equivalent cable gland with adequate cable.