

## Requirement class IIIA, EN 574 P1HZ X1



### Unit features

- ▶ Positive-guided relay outputs:
  - 2 safety contacts (N/O), instantaneous
- ▶ Connection options for:
  - 2 operator elements (buttons)
- ▶ LED indicator for:
  - Switch status channel 1/2
  - Supply voltage

### Unit description

The two-hand control relay meets the requirements of EN 574 Type IIIA. It forces the operator to keep his hands outside the danger zone area during the hazardous movement. It is designed for use in two-hand circuits.

### Caution!

The two-hand control relay may **not** be used on **press controllers**. It is only suitable for use where the risk analysis has established a low level of risk (e.g. EN 954-1 Cat. B or 1).

### Safety features

The two-hand control relay meets the following safety requirements:

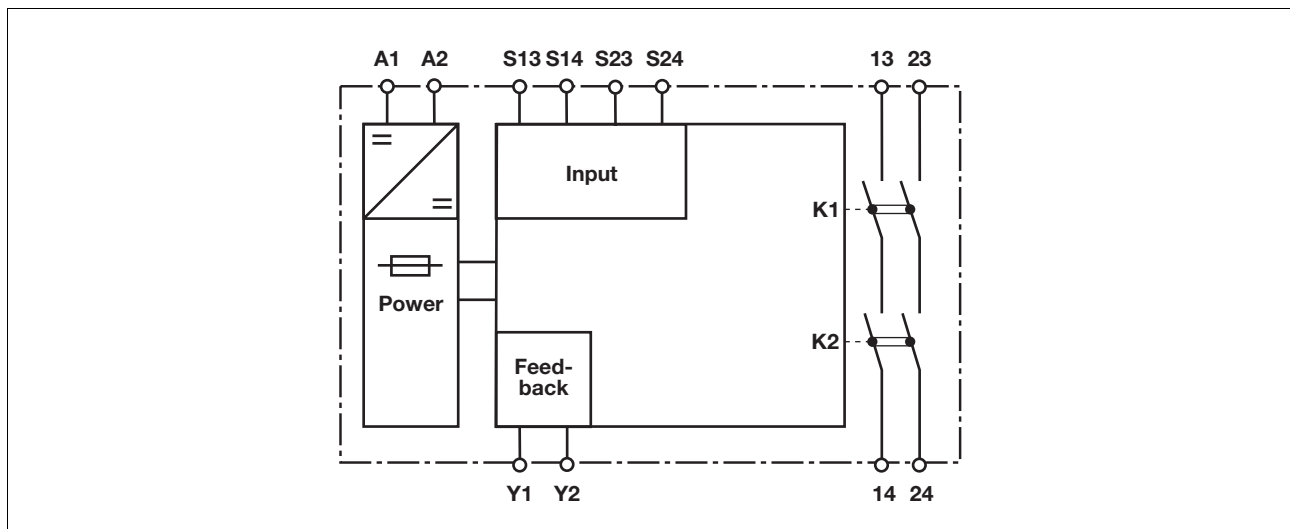
- ▶ The two-hand control relay prevents the plant from being enabled in the following cases:
  - Power supply failure
  - Component failure
  - Short circuit on an input circuit
  - Coil defect
  - Open circuit
  - Earth fault
- ▶ In each on-off cycle, the output relays on the safety device are tested to ensure they open and close correctly

Two-hand control device for safety circuits

### Approvals

P1HZ X1	
	◆
	◆
	◆

### Block diagram

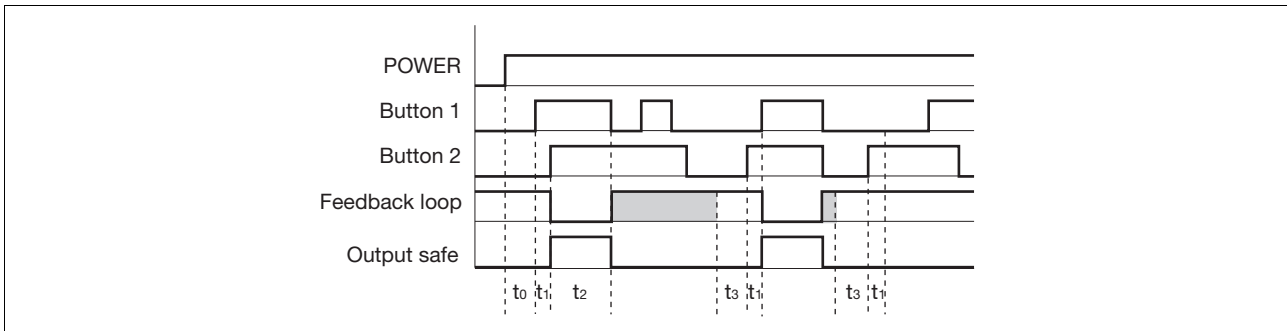


## Requirement class IIIA, EN 574 P1HZ X1

### Function description

- ▶ The two-hand control relay must be activated by simultaneously pressing two buttons. If one or both of the buttons are released, the unit
  - ▶ interrupts the control command for the hazardous movement.
  - ▶ Reactivation: The output relays will not re-energise until both operator elements have been released and then re-operated simultaneously.
- ▶ Increase in the number of available contacts by connecting contact expansion modules or external contactors/relays.

### Timing diagram



### Key

- ▶ POWER: Supply voltage
- ▶ Button 1/Button 2: Input circuits S13-S14, S23-S24
- ▶ Feedback loop: Feedback loop Y1-Y2
- ▶ Output safe: Safety outputs 13-14, 23-24
- ▶  $t_0$ : Recovery time after power on
- ▶  $t_1$ : Simultaneity, channel 1 and 2
- ▶  $t_2$ : Operating cycle ended through button 1 or 2
- ▶  $t_3$ : Y1-Y2 must be closed before before the button is operated (recovery time)
- ▶ Shaded area: Status irrelevant

### Wiring

Please note:

- ▶ Information given in the “Technical details” must be followed.
- ▶ Outputs 13-14, 23-24 are safety contacts.
- ▶ To prevent contact welding, a fuse should be connected before the output contacts (see technical details).
- ▶ Calculation of the max. cable runs  $l_{max}$  in the input circuit:

$$l_{max} = \frac{R_{lmax}}{R_l / km}$$

$R_{lmax}$  = max. overall cable resistance (see technical details)

$R_l / km$  = cable resistance/km

- ▶ Use copper wire that can withstand 60/75 °C.
- ▶ Sufficient fuse protection must be provided on all output contacts with capacitive and inductive loads.

## Requirement class IIIA, EN 574 P1HZ X1

### Preparing for operation

#### ▶ Supply voltage

Supply voltage	AC	DC

#### ▶ Input circuit

Input circuit	Single-channel	Dual-channel
Two-hand button <b>with</b> detection of shorts across contacts		

#### ▶ Feedback loop

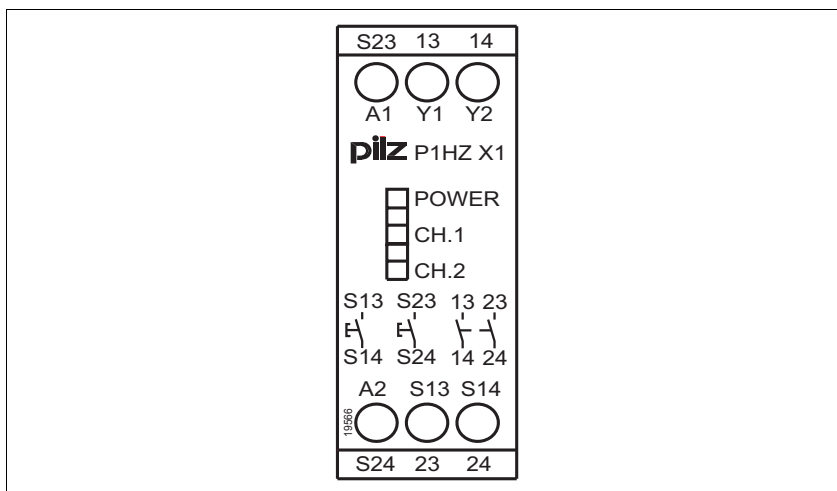
Feedback loop	
Contacts from external contactors	

#### ▶ Key

S1/S2	Two-hand button
-------	-----------------

## Requirement class IIIA, EN 574 P1HZ X1

### Terminal configuration



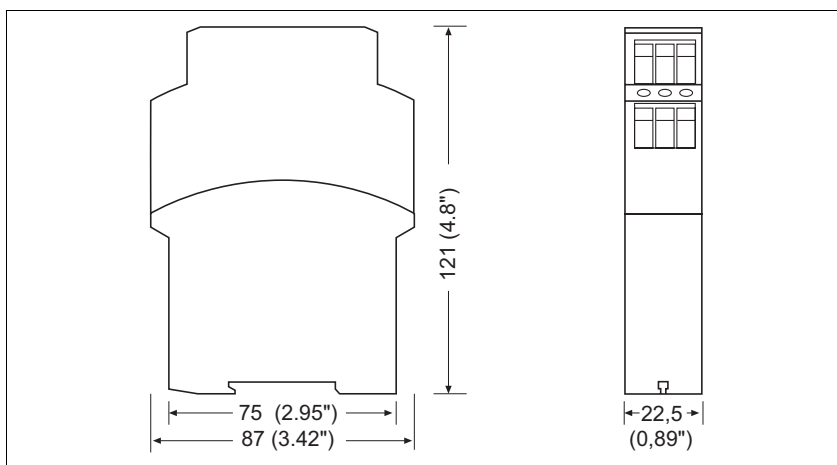
### Installation

- ▶ The safety relay should be installed in a control cabinet with a protection type of at least IP54.
- ▶ Use the notch on the rear of the unit to attach it to a DIN rail.
- ▶ Ensure the unit is mounted securely on a vertical DIN rail (35 mm) by using a fixing element (e.g. retaining bracket or an end angle).

### Notice

The distance of the button connected to the two-hand relay from the nearest danger zone must be large enough that if one of the buttons is released, the dangerous moment is interrupted before the operator can reach into the danger zone (see EN 999 "The positioning of protective equipment in respect of approach speeds of parts of the human body").

### Dimensions

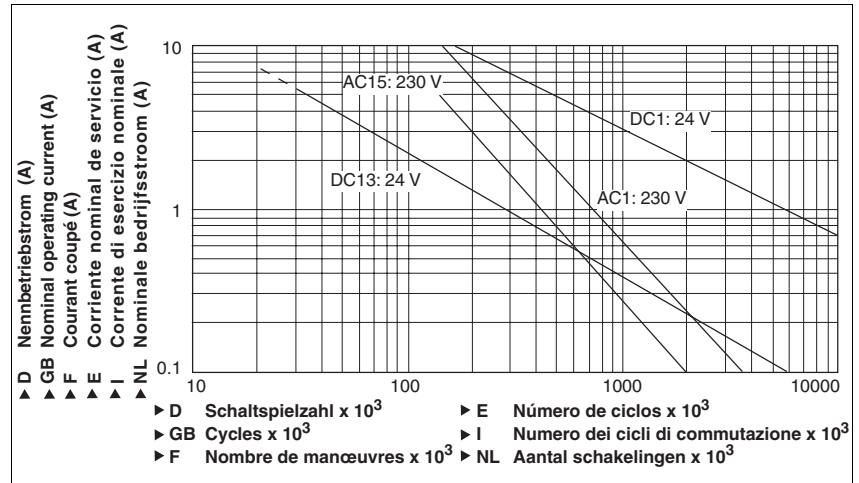


## Requirement class IIIA, EN 574 P1HZ X1

### Notice

This data sheet is only intended for use during configuration. For installation and operation, please refer to the operating instructions supplied with the unit.

### Service life graph



Technical details	
<b>Electrical data</b>	
Supply voltage $U_B$ DC	<b>24 V</b>
Voltage tolerance	<b>-15 % / 10 %</b>
Power consumption at $U_B$ DC	<b>2.0 W</b>
Residual ripple DC	<b>10 %</b>
Voltage and current at input circuit: <b>24 VDC</b>	
N/O contact	<b>10 mA</b>
feedback loop: <b>24 VDC</b>	<b>40.0 mA</b>
Output contacts in accordance with <b>EN 954-1</b> , Category 1	Safety contacts (N/O): <b>2</b>
Utilisation category in accordance with <b>EN 60947-4-1</b>	
AC1: <b>240 V</b>	$I_{min}: 0.01 \text{ A}, I_{max}: 6.0 \text{ A}$ $P_{max}: 1500 \text{ VA}$
DC1: <b>24 V</b>	$I_{min}: 0.01 \text{ A}, I_{max}: 6.0 \text{ A}$ $P_{max}: 150 \text{ W}$
Utilisation category in accordance with <b>EN 60947-5-1</b>	
AC15: <b>230 V</b>	$I_{max}: 5.0 \text{ A}$
DC13 (6 cycles/min): <b>24 V</b>	$I_{max}: 2.5 \text{ A}$
Contact material	<b>AgSnO<sub>2</sub> + 0.2 μm Au</b>
External contact fuse protection ( <b>EN 60947-5-1</b> )	
Blow-out fuse, quick	<b>6 A</b>
Blow-out fuse, slow	<b>4 A</b>
Circuit breaker	<b>4 A, 24 VAC/DC, characteristic B/C</b>
Max. overall cable resistance $R_{lmax}$ per input circuit,	<b>14 Ohm</b>
<b>Times</b>	
Delay-on de-energisation (reaction time in accordance with EN 574)	
N/O contact	<b>15 ms</b>
Recovery time after two-hand	<b>150 ms</b>
Simultaneity, channel 1 and 2	<b>500 ms</b>
<b>Environmental data</b>	
EMC	<b>EN 60947-5-1, EN 61000-6-2</b>
Vibration in accordance with <b>EN 60068-2-6</b>	
Frequency	<b>10 - 55 Hz</b>
Amplitude	<b>0.35 mm</b>
Climatic suitability	<b>EN 60068-2-78</b>
Airgap creepage	<b>VDE 0110-1</b>

## Requirement class IIIA, EN 574

### P1HZ X1

Environmental data	
Ambient temperature	-10 - 55 °C
Storage temperature	-25 - 85 °C
Protection type	
Mounting (e.g. cabinet)	IP54
Housing	IP40
Terminals	IP20
Mechanical data	
Housing material	
Housing	PPO UL 94 V0
Front	ABS UL 94 V0
Cross section of external conductors with screw terminals	
1 core flexible	0.20 – 4.00 mm <sup>2</sup>
2 core, same cross section, flexible:	
with crimp connectors, without insulating sleeve	0.20 – 2.50 mm <sup>2</sup>
without crimp connectors or with TWIN crimp connectors	0.20 – 2.50 mm <sup>2</sup>
Torque setting with screw terminals	0.60 Nm
Dimensions (H x W x D)	
with screw terminals	87.0 mm x 22.5 mm x 121.0 mm
Weight	210 g

The standards current on **08/02** apply.

Order reference			
Type	Features	Terminals	Order no.
P1HZ X1	24 VDC	Screw terminals	774 360