

SOLAR LED STREET LIGHT

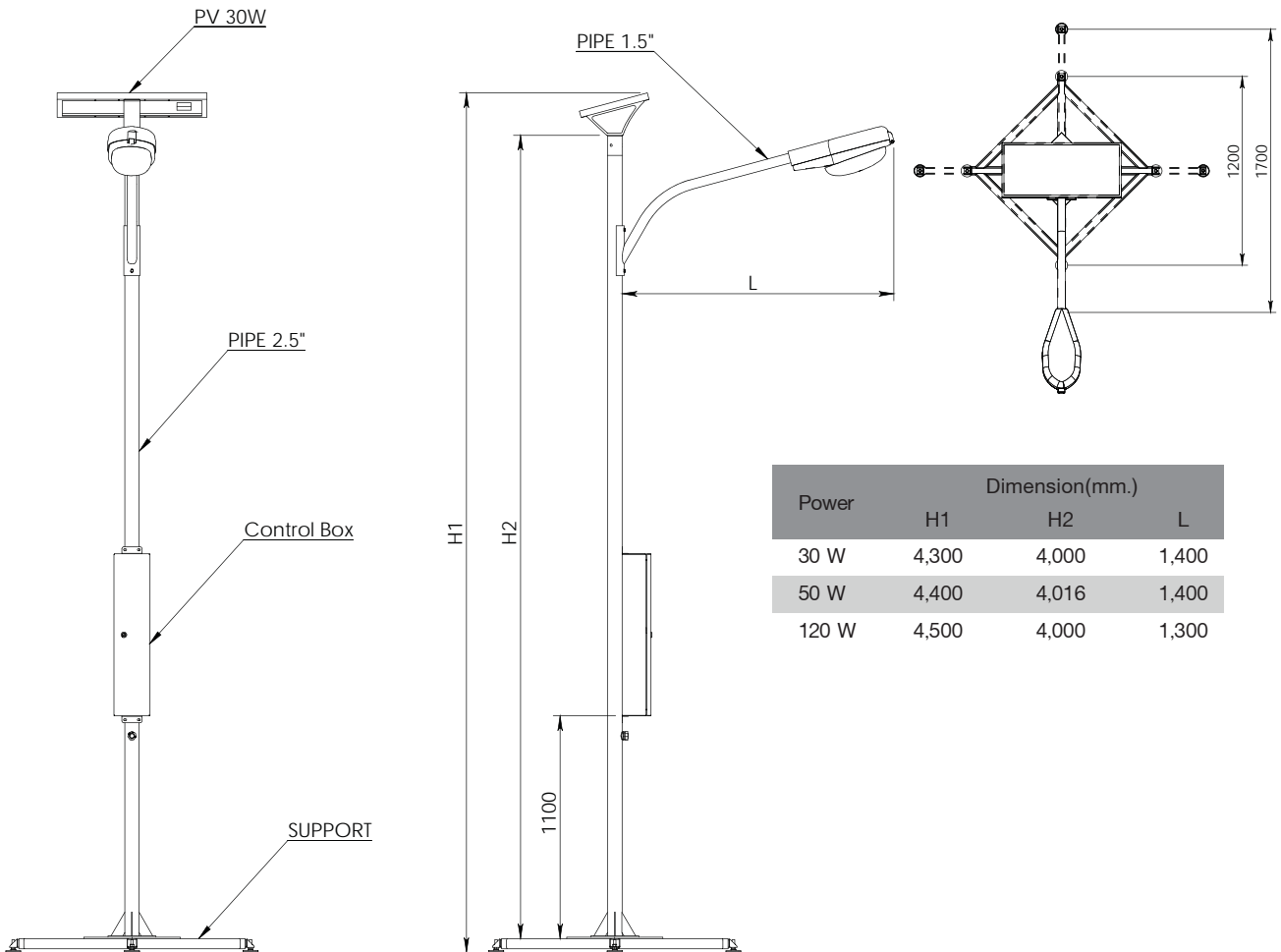


Application

Outdoor

Street lighting, park lighting and surrounding areas

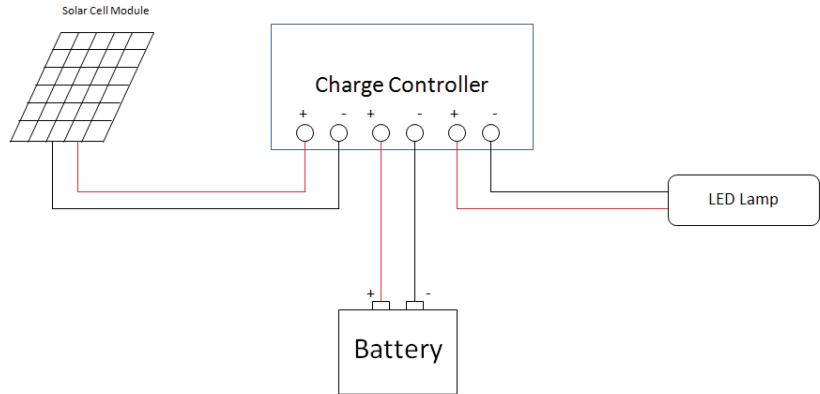
DIMENSION



EQUIPMENT LIST

1. Solar cell Module	1 pcs.
2. LED Lamp	1 pcs
3. Charge controller	1 pcs.
4. Battery	1 pcs.
5. Water proof Box	1 pcs.
6. Pole	1 pcs.

Chart



SPECIFICATION

Parameter	Specification	Units
Max. Power Consumption	9 / 15 / 36	W
Lighting Elements	Power LED (3W/Chip) / (6W/Chip)	VAC
Lighting Color	Cool White / Warm White	--
LED Life time	50,000	hrs.
Operating Temperature	-40 ~ 100	°C
Typical Installation Height	4 / 6 / 6	m.
Photovoltaic Module	30W / 50W / 100W	@Latitude 0-30°
Charge Controller	IRC-001	--
Dry Battery	38 / 65 / 75	Ah/12V
Working Time per night	12	hrs.
No Sun Back UP	3	days

ILLUMINANCE AND FIELD ANGLE

Product Code	Power Consumption	Field Angle	Luminous Intensity		Color	CCT
			@4 m.	@6 m.		
30SS100009GC120W	9 W	120°	21 lux	10 lux	Cool White	6,000K
30SS100009GW120W			21 lux	10 lux	Warm White	3,000K
30SS100015GC120W	15 W	120°	34 lux	16 lux	Cool White	6,000K
30SS100015GW120W			34 lux	16 lux	Warm White	3,000K
30SS100036GC120W	36 W	120°	60 lux	28 lux	Cool White	6,000K
30SS100036GW120W			60 lux	28 lux	Warm White	3,000K

LIGHT PATTERN

