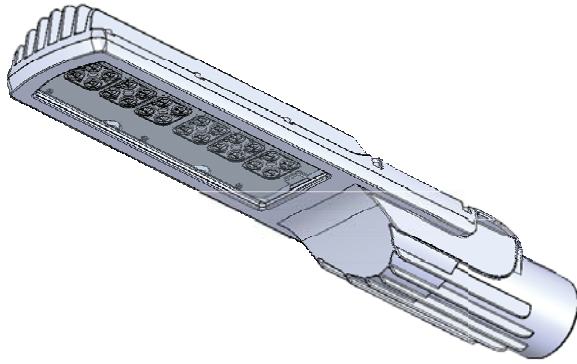


LED STREET LIGHT 28W



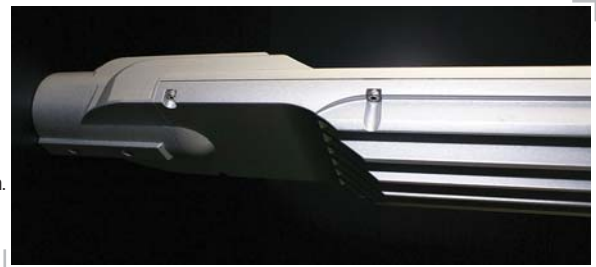
Application

Area: Outdoor

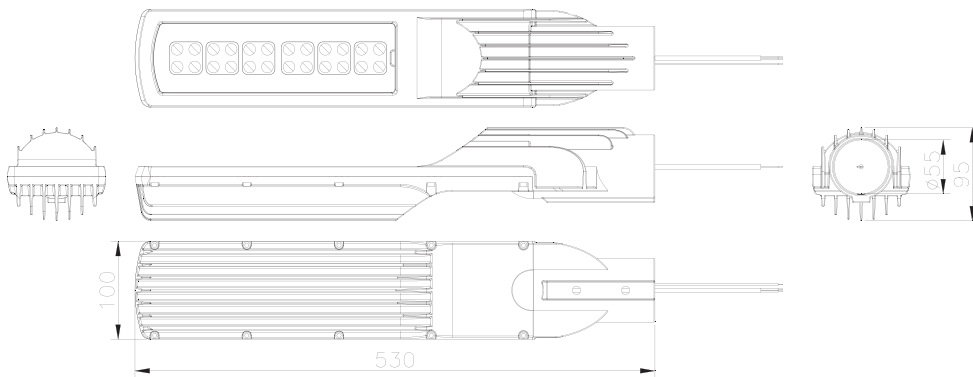
Purpose: Alley lighting, park lighting, street lighting and solar applications.

Features

- Suitable for 4-6m pole height.
- Batwing beam pattern meet IESNA type II short and cutoff classification.
- Switching mode and multi-channel constant current design for LED.
- Over-heat and over-voltage protection designs and self-thermal compensation.
- IP65 ingress protection.

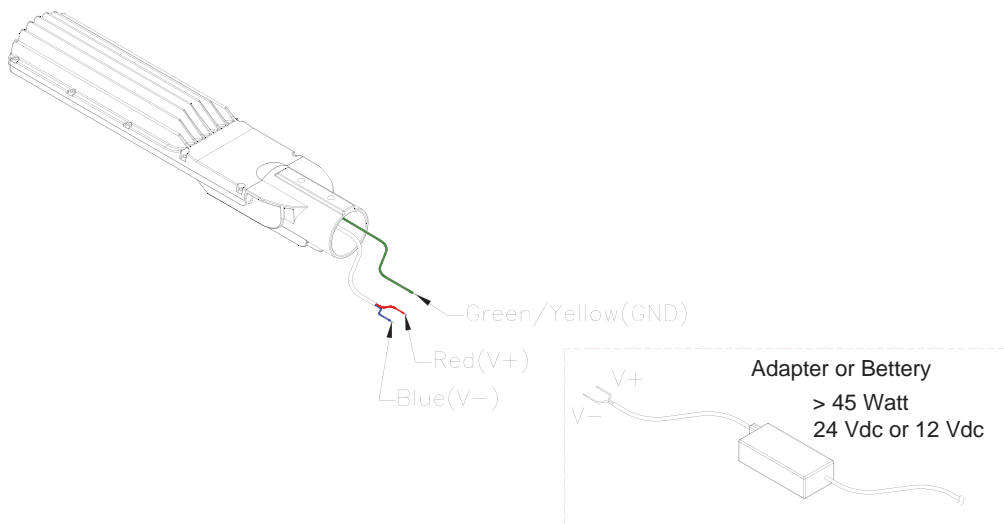


DIMENSION



Unit: mm

INSTALLATION GUIDE



SPECIFICATION

Parameter	Specification	Units
Power Consumption	28 @12Vdc	W
LEDs	24ea High Power LED	--
Efficacy	74.5 for CW	lm/W
Operation Temperature	-20 ~ 40	°C
IP Rating	65	--
Housing	Aluminum alloy	mm.
Weight	2.1	kg.
Hole Size	Ø55	mm.

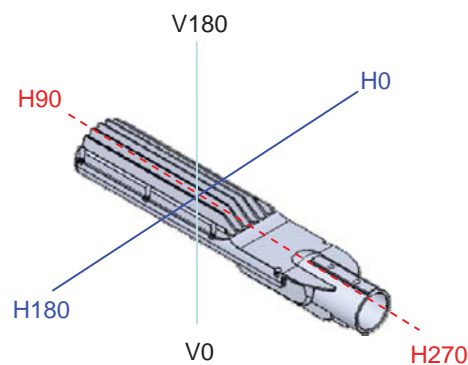
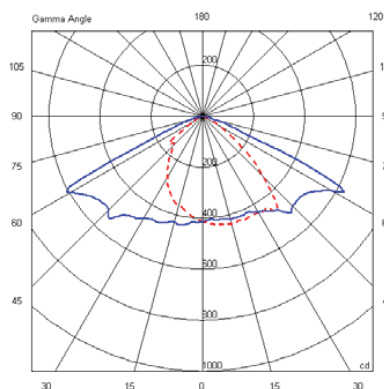


ILLUMINANCE AND FIELD ANGLE

Product Code	Power Consumption	Roadway Classification	Field Angle	Flux(lm)[Typ.]	Color	CCT
30STH00028AC130W	28 W	Type II, Short, Cutoff	130°	1789	Cool White	5200K
30STH00028AW130W		Type II, Short, Cutoff	130°	1430	Warm White	3000K

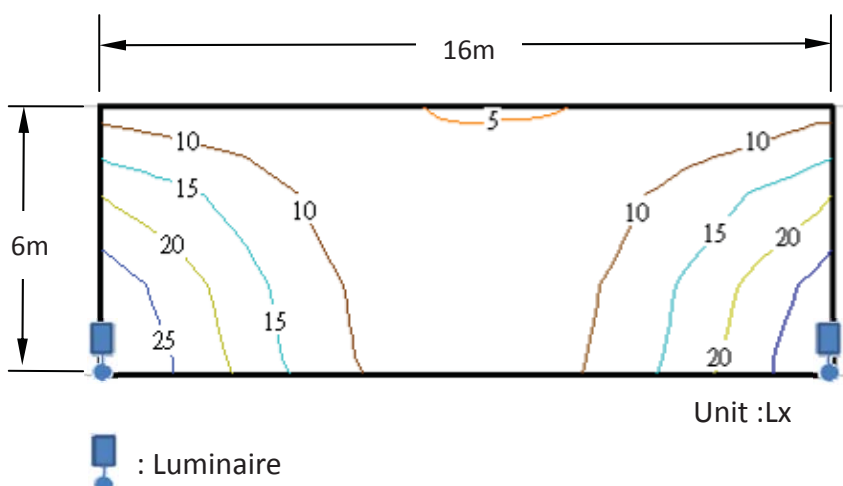
PHOTOMETRIC

Beam Pattern



Isoline

Road Width	Mounting Height	Pole Pitch	Tilt Angle
6m	4m	16m	15 degree



PL52BH	
Max.	27 Lx
Avg.	13 Lx
Min.	5.4 Lx
Uniformity (Min./Avg.)	0.43