

LED BILLBOARD LIGHT 40W



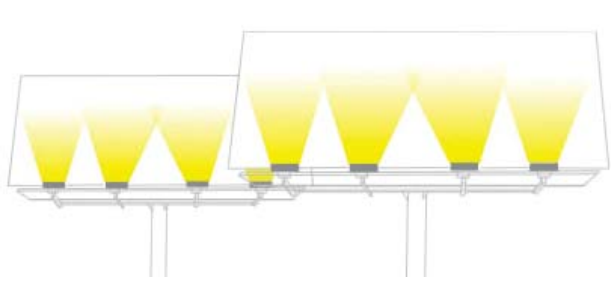
Application

Area: Outdoor / Indoor

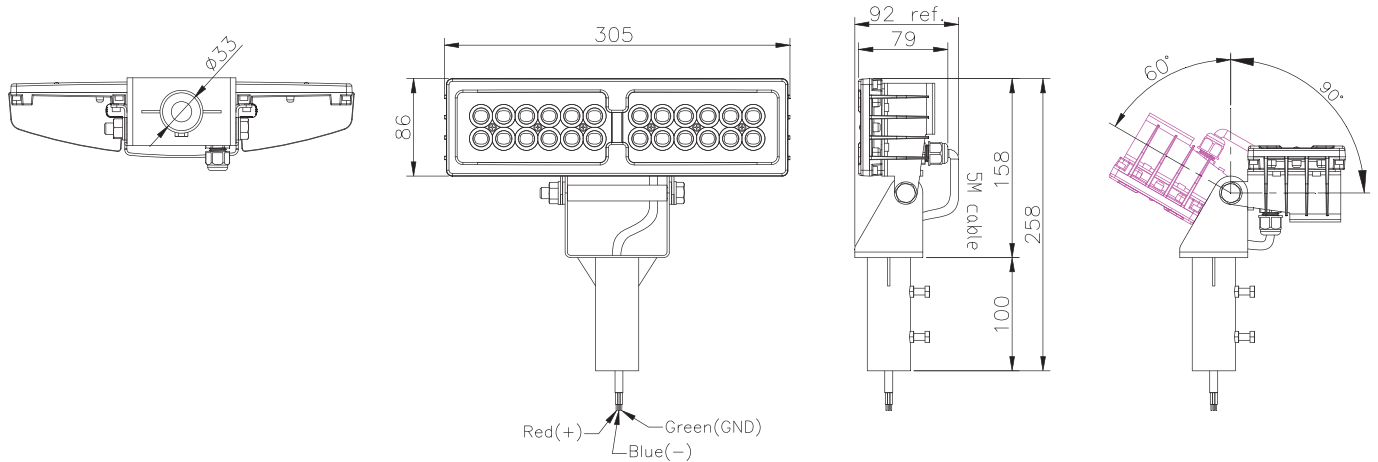
Purpose: Lighting for billboards, building facades and road sign

Features

- Multiple optics choices enhance variable applications
- 12/24Vdc input without safety risk and suitable for solar application
- Switching mode and multi-channel constant current design
- Flexibly adjusted mechanism design for maximum lighting utilization
- IP65 ingress protection



DIMENSION



Note: the luminaire power cable is 5m length.

Unit: mm

INSTALLATION GUIDE

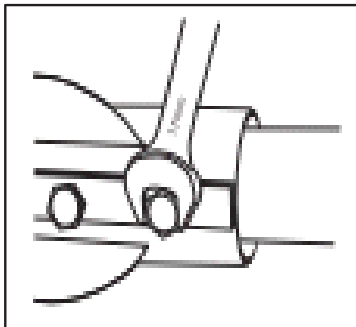


Fig. 1 Adjust and Fix

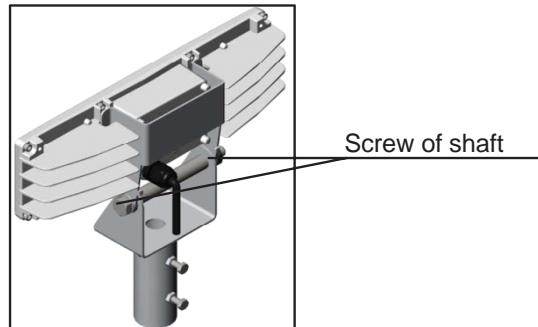


Fig. 2 Release-Adjust-Fix

Screw of shaft

SPECIFICATION

Parameter	Specification	Units
Power Consumption	40 @12Vdc	W
LEDs	24ea High Power LED	--
Input Voltage	12 / 24	Vdc
Operation Temperature	-30 ~ 50	°C
IP Rating	65	--
Housing	Aluminum alloy	mm.
Weight	2.12	kg.

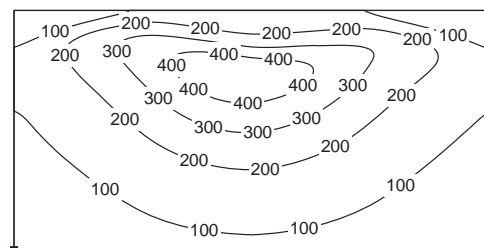
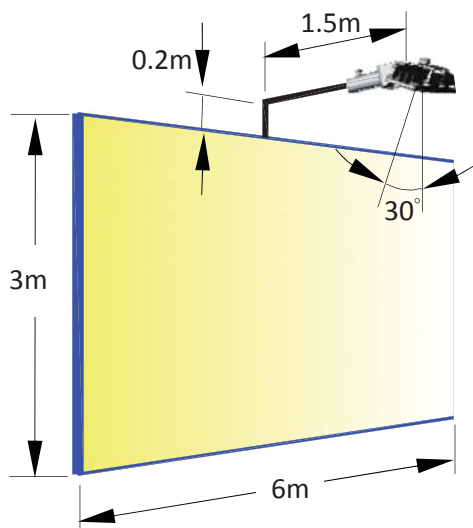


ILLUMINANCE AND FIELD ANGLE

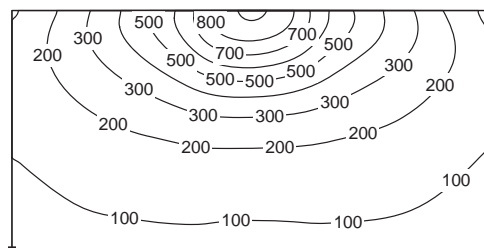
Product Code	Power Consumption	Roadway Classification	Field Angle	Flux(lm)[Typ.]	Color	CCT
30BB100040GC145W	40 W	Symmetric Wide Flood	145°x73°	2,600	Cool White	6,000K
30BB100040GW145W		Symmetric Wide Flood	145°x73°	1,670	Warm White	3,000K
30BB100040GC135W		Asymmetric Wide Flood	135°x83°	2,600	Cool White	6,000K
30BB100040GW135W		Asymmetric Wide Flood	135°x83°	1,670	Warm White	3,000K

PHOTOMETRIC

Beam Pattern and Isolines

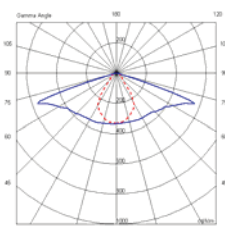


145°x73° Cool White



135°x83° Cool White

C0°-180° C90°-270°



C0°-180° C90°-270°

