



## LED MR16 6W DIMMABLE

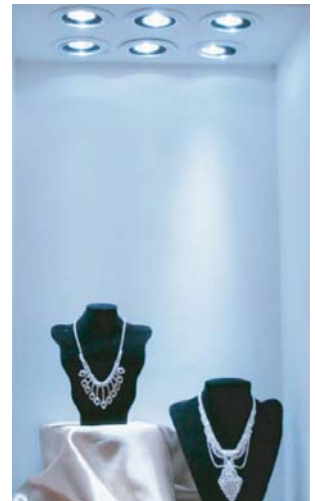
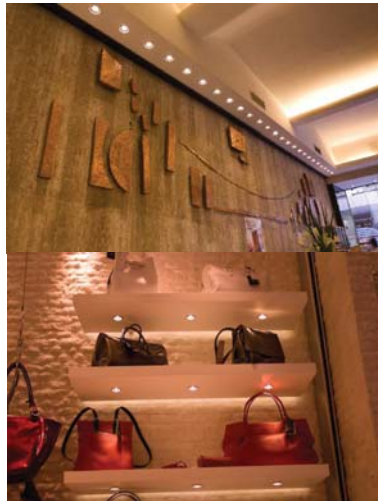
LED MR16 6W DIMMABLE, with 4 chips and a GU5.3 base, feature a new heatsink that allows for higher lumen output than previous lamps. Lumen output is now 235~245 lumens for Daylight white. The lamps are dimmable with linear AC transformers.

### Features

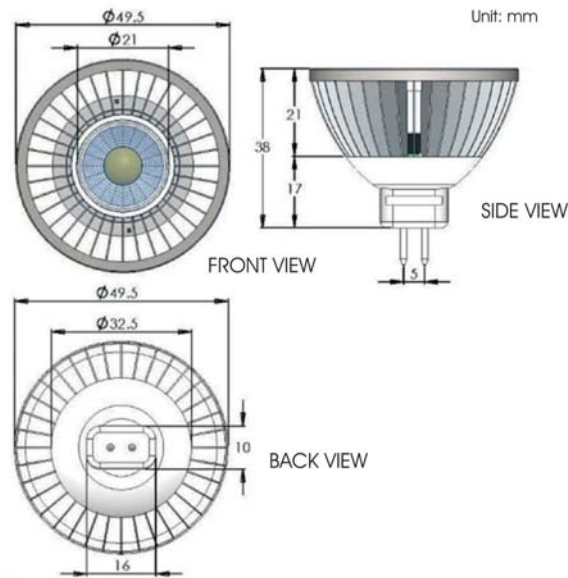
- High power 6w LED with 4 chips
- MR16 lamp with GU5.3 base
- New heatsink allowing high luminous intensity
- Min. 70% lumen maintenance after 35,000 hrs.
- Higher energy efficiency than incandescent and halogen lamps
- Cool beam (no UV or thermal radiation)
- Dimmable with linear AC transformers.

### Caution

12~18Vac or 12~24Vdc constant voltage power supplies are strongly recommended. Compatibility of the LED lamps with 12VAC electronic transformers cannot be guaranteed.



## DIMENSION



## SPECIFICATION

Parameter	Specification	Units
Power Consumption	6	W
Field Angles	54°	Degree
Color Temperature	2,700 / 5,500	°K
Color Rendering Index	80 / 70	--
Weight	349 $\pm$ 3	g.
Life Time	35,000	--
Base	GU5.3	--



## ILLUMINANCE AND FIELD ANGLE

The tables present the illuminance level with respect to different color temperature.

Product Code	Power Consumption	Field Angle	Flux(lm)[Typ.]	Color	CCT
30MD029006EC054N	6 W	54°	245	Cool White	5,500K
30MD029006EW054N		54°	235	Warm White	2,700K

## LIGHT PATTERN

