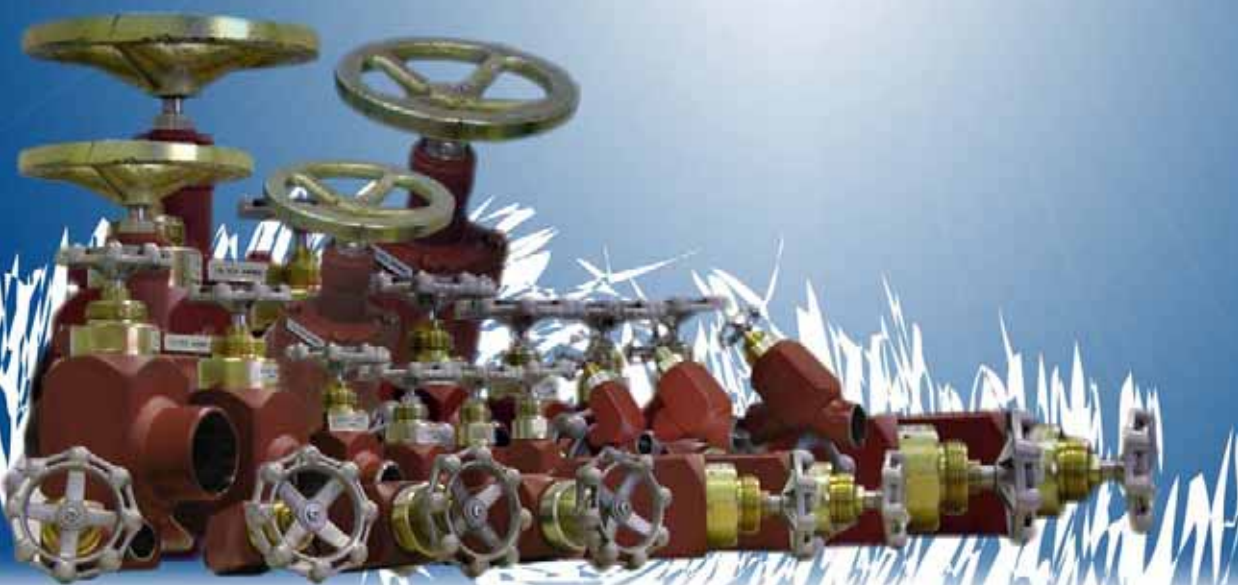


VALTECH

ADVANCED · TECHNOLOGY DESIGN VALVES

FOR SUPERIOR QUALITY AND DURABILITY



Temp Tech is the Leader in Industrial Refrigeration



VALTECH

ValTech are specially designed to operate in the aggressive environment with high humidity and temperature fluctuations found in most refrigeration systems. We offers a complete range of solenoid valves and butt welding stop valves for use in refrigeration systems covering the majority of the customer demands.

SOLENOID VALVES

ValTech Solenoid valves reliably control the on-off flow of refrigerant. The low friction disc pistons with teflon seal are superior in their quality to overcome dirt and sticky oil. They also operate smoothly in oil-free dry systems. In addition ValTech solenoid valve have teflon seat for tight shut-off and all manual opening stems turn in to open, avoid confusion among valve types. Common uses are to shut-off liquid feed to liquid overfeed evaporators, to control liquid feed make-up to pump recirculators, as purge point valves, as hot gas defrost supply valves, and as evaporator suction stop valves.



Only the best materials are used in the production and constant testing through every step of production process to ensure the superior quality and durability.



STOP VALVES

Stop valves are manually operated valves for use in industrial refrigeration applications where for instance a pipe section needs to be shut-off during service and maintenance. The valves are in sizes from 12 mm (15A) up to 75 mm (80A). The valves are designed to give favourable flow characteristics and are easy to dismantle for servicing. The valve cone is designed to ensure perfect closing. Applicable to all common refrigerants including ammonia (R717) and non corrosive gases/liquids dependent on sealing material compatibility.

ValTech stop valves feature an exclusive dual stem-seal design that virtually eliminates refrigerant leakage possibility. These reliable and durable valves are strong, but not heavy.

VS4 Solenoid Valve – 40A – 50A

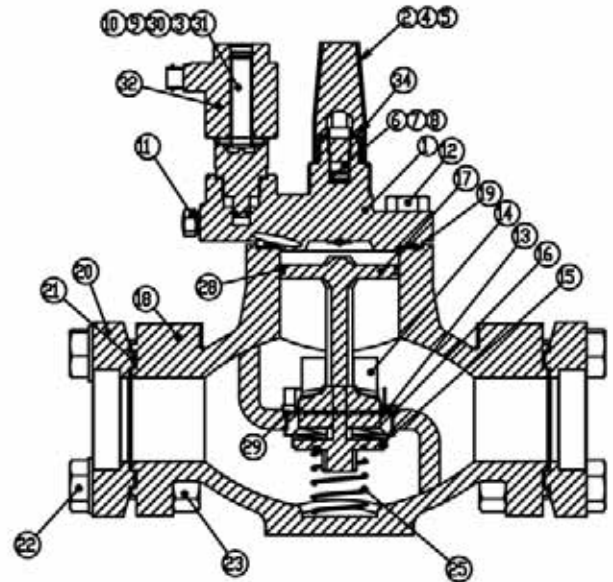


pressure is ported through the pilot solenoid to the top of the piston to push it downward and open the main valve seat wide; when de-energized, pressure is no longer ported to the top of the piston and a spring closes the main valve seat to stop flow in the arrow direction on the valve body.

APPLICATIONS

These reliable, flanged bodied valves are ideal for use as standard, stock refrigerant solenoid valves. While primarily for ammonia, these valves are also suitable for R22, R134a, and other approved refrigerants and warm refrigeration oil. Most common use is to automatically stop liquid feed to recirculating liquid overfeed evaporators, and as liquid makeup solenoid valve for pump recirculators. They are also suitable for hot gas defrost supply and evaporator suction stop applications.

These advanced design, strong bodied, precision manufactured solenoid valves control the on-off flow of refrigerant. They are superior in their ability to overcome dirt and sticky oil during opening and closing, and operate smoothly even in an oilfree dry system. When electrically energized, the upstream



ITEM	DESCRIPTION	QTY
Piston Kit		
13	V-Port /Seat	1
14	V-Port	1
15	V-Port	1
16	V-Port Teflon	1
17	Piston	1
28	Piston Seal	1
25	Closing Spring	1
29	V-port O-ring	1
26	V-port washer	1
27	V-port Bolt	1
Gasket Kit consists of:		
21	Flange Gasket	2
19	Adapter Gasket	1
6	Stem Packing	1
7	Stem Washer	2
8	Stem O-ring	1
9	Solenoid Control O-ring	1

ITEM	DESCRIPTION	QTY
10	Solenoid Tube Gasket	1
34	Cap O-ring	1
1	Adapter	1
4	Stem Valve	1
2	Cap	1
5	Packing nut	1
11	Gauge Port Plug	1
12	Adapter Bolt	4
18	Body	1
20	Flange	2
22	Flange Bolt	8
23	Flange Nut	8
24	Flange washer	8
Solenoid Tube/Plunger Kit		
3	Solenoid Control	1
30	Coil Kit O-ring	1
31	Coil Housing Assembly	
32	Tube Screws	
33	Coil Housing Assembly	

VS7 Solenoid Valve 20A – 32A



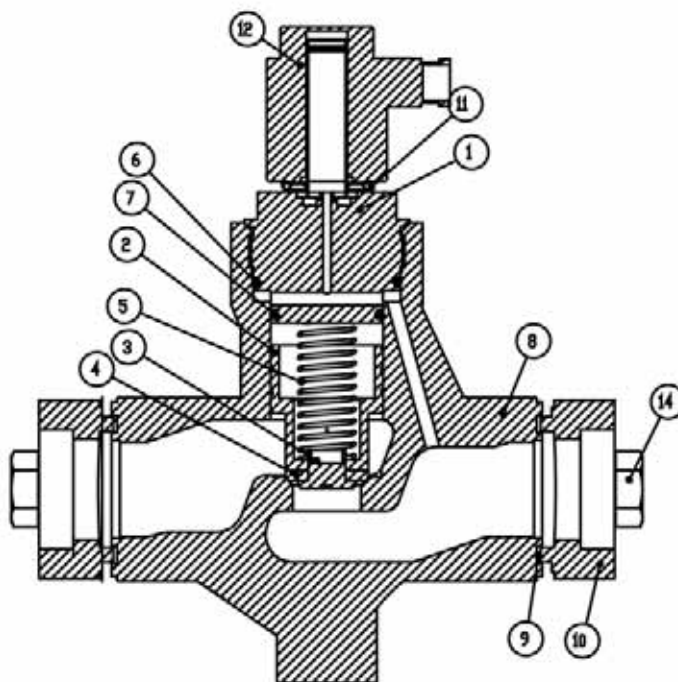
This flanged, heavy duty, industrial refrigeration solenoid valve controls the flow of refrigerant. When electrically energized, a slight pressure difference across the valve causes it to open wide; when de-energized, a spring promptly closes the main Teflon seat to stop all flow in the arrow direction on the valve body.

APPLICATIONS

This advanced design valve is ideal as a standard ammonia liquid line solenoid valve. While primarily for ammonia, this valve is also suitable for R22, R134a, and other approved refrigerants. Most common use is

to automatically stop liquid line feed to recirculating liquid overfeed evaporators, to float switch controlled accumulators, and to thermal expansion valves; it is also suitable for hot gas defrost, and evaporator suction.

ITEM	DESCRIPTION	QTY
Piston Kit		
2	Piston	1
3	Piston	1
4	Piston Teflon	1
Bonnet-Cartridge Kit		
1	Bonnet	1
5	spring	1
6	o-ring	1
7	o-ring	1
Body		
8	Body	1
9	Flange-gasket	2
10	Flange	2
14	Flange Bolt	4
15	Flange Nut	4
11	Coil Housing Assembly	1
12	Coil Housing Assembly	
13	Tube Screws	



VS8 Solenoid Valve 15A – 20A



This heavy-duty refrigeration solenoid valve is flanged and compact.

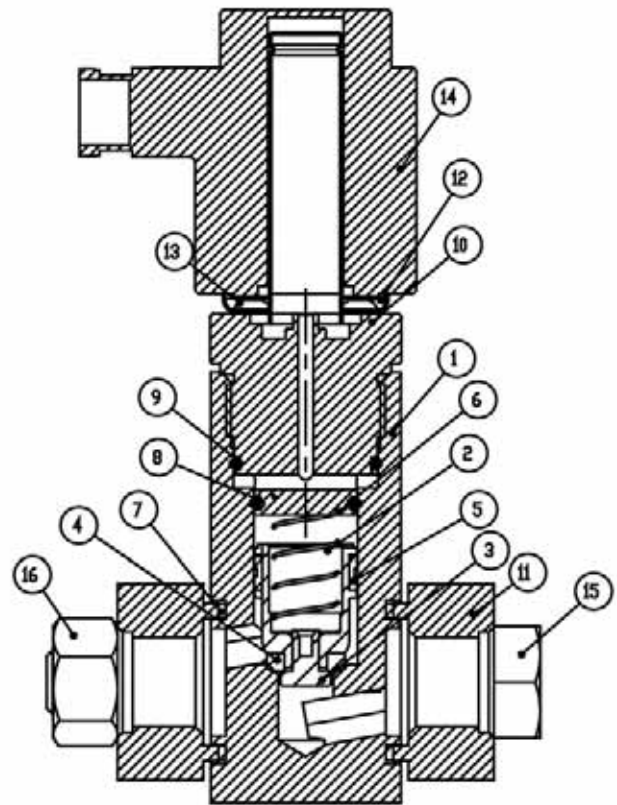
It is now more dirt resistant, erosion resistant, and corrosion resistant. A dirt controlling Teflon piston seal prevents sticking. The valve body has improved, erosion resistant flow passages. And a proprietary coating on the valve body gives unmatched corrosion protection. The VS8 is used to provide on-off control of refrigerant flow. When the coil is energized, a pressure difference across the piston opens the valve seat. When the coil is de-energized, a spring closes the main Teflon seat to stop all flow.

APPLICATIONS

The VS8 is ideal as a liquid line solenoid valve. While primarily for ammonia, this valve is also suitable for R22, R134a, and other compatible refrigerants.

The most common use of this valve is to control flow to: expansion devices, recirculating liquid overfeed evaporators, hot gas defrost, and small capacity evaporator suction.

ITEM	DESCRIPTION	QTY
Piston Kit		
2	Piston	1
3	Piston	
4	Piston Teflon	1
5	Teflon	1
Bonnet-Cartridge Kit		
6	Spring	1
10	Bonnet	1
9	Bonnet o-ring	1
8	Bonnet o-ring	1
7	Flange - gasket	2
Body		
1	Body	1
15	Flange Bolt	2
16	Flange Nut	2
11	Flange	2
12	Coil Housing Assembly	1
13	Tube Screws	
14	Coil Housing Assembly	



VS6 Solenoid Valve 15A

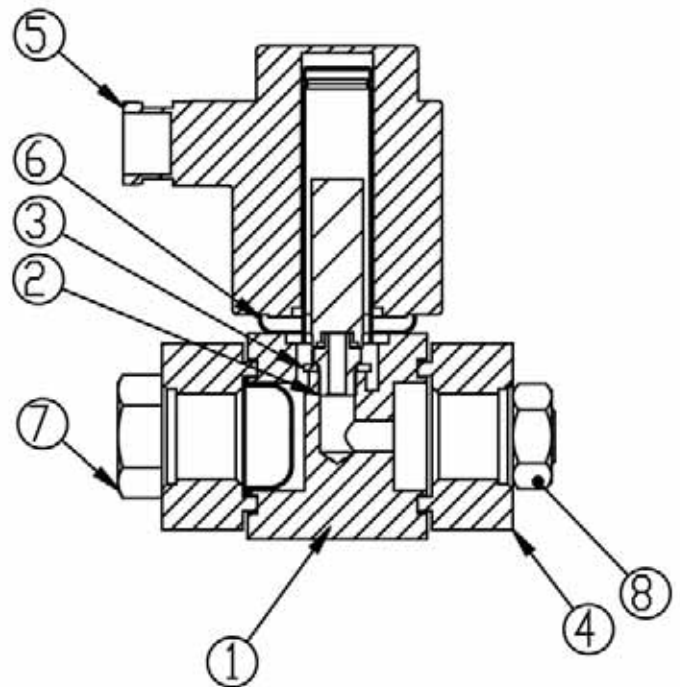


This flanged, industrial refrigeration duty solenoid valve is very simple and compact but rugged in construction. Body is plated steel alloy while direct lifting stainless steel plunger contains teflon seat which closes upon stainless steel orifice. When electrically energized, seat opens wide; when de-energized, it closes to stop flow in the arrow direction on the valve body.

APPLICATION

This small, direct lifting valve is used primarily for various larger gas-powered or liquid powered main valves, as for back pressure regulators or other devices, or as a liquid stop valve for expansion valves, float valves, or as a general purpose pilot line for ammonia, R22, R134a, and other approved refrigerants or oil.

ITEM	DESCRIPTION	QTY
1	Body	1
2	Plunger	1
3	Washer	1
4	Flange	1
5	Coil Solenoid	1
6	Coil Housing Assembly	1
7	Flange Bolt	2
8	Flange Nut	2



65A-80A

These well-designed and constructed low-pressure drop refrigerant shut-off valves are butt-weldable directly to steel piping, thereby eliminating potential leaky flanges or threaded joints, and simplifying installation. Construction with cast steel bodies is light but tough, but has adequate wall thickness to avoid the rusting-through potential inherent with imported metric pressed sheet steel designs.

APPLICATIONS

Typical uses include the following: Ammonia refrigeration system suction, liquid, discharge, recirculating liquid, hot gas and oil lines, using handwheel or seal cap models. Steel pipe portions of R22, R134a commercial, industrial, and air conditioning systems, using seal cap models. Compressor suction and discharge connections and condenser and evaporator inlet and outlet connections for ammonia, R22, R134a and other refrigerants.



Angle valve

15A-50A

These low pressure drop refrigerant stop valves are designed to be butt-welded directly to steel piping, thereby eliminating potential leaky flanges or threaded joints and simplifying installation. The significant feature of ValTech stop valves is the noleak seal-plus-stem-packing design. This seal design is used exclusively on ValTech stop valves and virtually eliminates stem seal leakage.

Globe and angle valves are available

APPLICATIONS

Typical uses include: Ammonia refrigeration system suction, liquid, discharge, recirculating liquid, hot gas, thermosyphon, and oil lines, using handwheel or seal cap models. The low friction, noleak-stem-seal design permits the use of chain actuating for crossover applications without the need to retighten the packing. Steel pipe portions of halocarbon, commercial, industrial, and air conditioning systems, using seal cap models.



Globe valve



Handwheel / Seal cap models

BUTT WELDING – STOP VALVES

ORDERING INFORMATION

Nominal Size (mm.)	Description	Globe		Angle		Wt. Lbs.	
		Cat No.		Cat No.		G	A
		Handwheel	Seal Cap	Handwheel	Seal Cap		
15	Shut-off Valve	GW015H	GW015C	AW015H	AW015C	5	5
20	Shut-off Valve	GW020H	GW020C	AW020H	AW020C	5	5
25	Shut-off Valve	GW025H	GW025C	AW025H	AW025C	6	6
32	Shut-off Valve	GW032H	GW032C	AW032H	AW032C	6	6
40	Shut-off Valve	GW040H	GW040C	AW040H	AW040C	21	16
50	Shut-off Valve	GW050H	GW050C	AW050H	AW050C	20	16
65	Shut-off Valve	GW065H	GW065C	AW065H	AW065C	40	25
80	Shut-off Valve			AW080H		38	23
100	Shut-off Valve			AW100H		77	43
125	Shut-off Valve			AW125H		83	64
150	Shut-off Valve			AW150H		102	80

ITEM	DESCRIPTION	QTY
1	Body	1
Gasket kit consists of		
4	Packing Nut	1
8	stem Washer	2
9	stem O-ring	1
10	Stem graphite	1
11	bonnet O-ring	1
13	cap O-ring	1
14	ball retainer	1
16	Balls	
Bonnet Assembly Kit		
2	Bonnet	1
3	Stem	1
5	Disc	1
6	Disc	
7	Disc Teflon	
Handwheel Kit consists of		
12	Cap	1
15	Handwheel	1

