

## Bluetooth Smart Wearable Data Terminal



GS WT1000BT smart wearable data terminal is specially designed for picking and sorting application. Your workers will experience the advanced mobile computing and scanning technology with Generalscan smart wearable Android data terminal.

It integrates with wearable armband, ring barcode scanner, smartphone battery charger, data communication function into one device. The ergonomic hand-free wearable design with patented rotation platform will make you easily operate with your Apps.

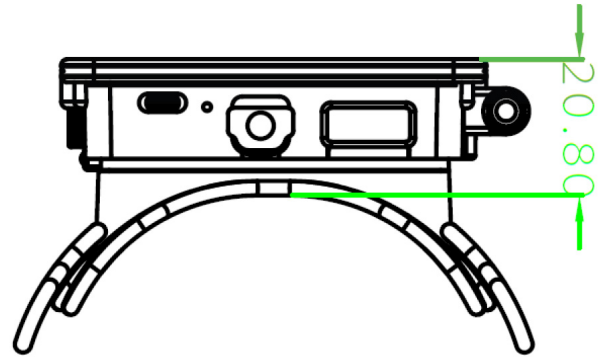
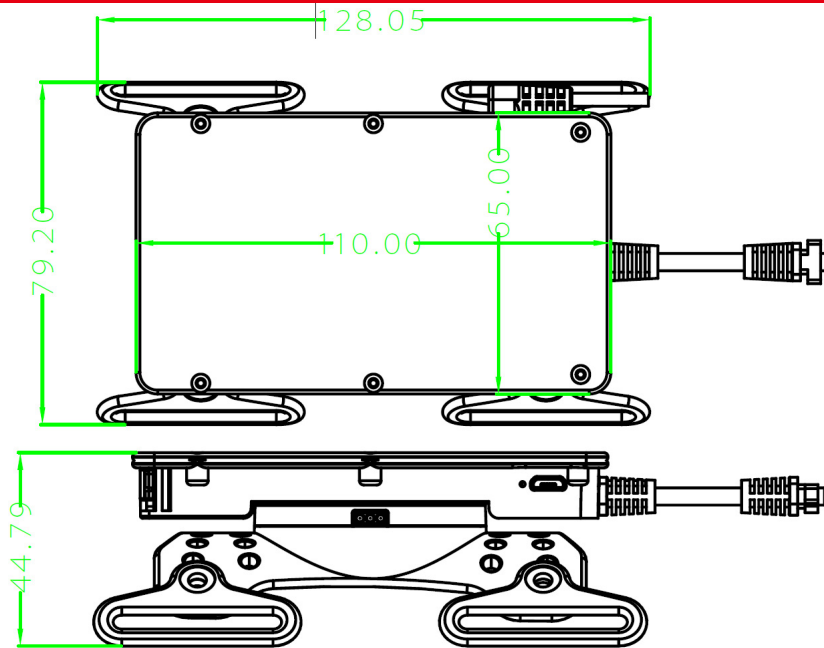
GS WT1000BT smart wearable data terminal powered by chargeable 3100 mAh battery, it can provide enough power to ring barcode scanner and smart charge function to Android smartphone for a whole day working.

Replaceable rotation platform design makes you easily change high cost effective or high performance Android smartphone, you will never be bound with out-of-date PDA.

GS WT1000BT smart wearable data terminal can make your worker keep their hands and eyes on the materials they are handling and capture barcode on the fly with ring barcode scanner. You can easily do work for picking, sorting, labeling, weighting and shipping by yourself.

Comfortable and breathe freely design for armband, you will feel better even in hot temperature environment. Total armband weight which including battery is only 275g.

With a hands-free design and ergonomics that provide unparalleled user comfort, your workers hands are always free and ready for picking package.



**Dimension :** L128.05mm×W79.2mm×H20.8mm  
**Weight :** 275g  
**Device Compatibility :** Android 4.0 or above  
**Scan Head:** Optional 1D Laser or 1D CCD or 2D ring barcode scanner

## Electrical

**Input Voltage:** DC5V ± 5%  
**Operating Power:** 150mA @ DC5V  
**Start-up Time:** <100ms

## Environmental

**Operating Temperature:** -25 °C ~ +55 °C  
**Storage Temperature:** -30 °C ~ +65 °C  
**Humidity:** 5% ~ 95%  
**Light Level:** 0 ~ 96,800LUX  
**Shock :** Withstands multiple drops of 6' (1.8 Meters)

**Communication:** Bluetooth 3.0

**Battery Volume :** 3100mAh  
**Standby Time :** 3 day  
**Working Time :** 12Hours per 10second decode  
**Expected Charge Time:** 4hours

**Certification:** CE , ROHS , WEEE Complicant

## Development Tools

Eclipse ,Java,SDK for USB Accessory

## Application Software

Free iCloudscan.net Service

**Accessory: USB Cable**

## Symbologies

**1D:** Codabar, Code 11, Code 32, Code 39, Code 93, Code 128, IATA 2 of 5, Interleaved 2 of 5, GS1 DataBar (RSS), Hong Kong 2 of 5, Matrix 2 of 5, MSI Plessey, NEC 2 of 5, Pharmacode, Plessey, Straight 2 of 5, Telepen, Trioptic, UPC/EAN/JAN

**Stacked 1D:** Codablock F, MicroPDF, PDF417, GS1 Composite (CC-A/CC-B/CC-C)

**2D:** Aztec Code, Data Matrix, Han Xin, MaxiCode, Micro QR, QR Code

**Proprietary 2D:** GoCode (Additional License Required)

**Postal Codes:** Australian Post, Intelligent Mail, Japan Post, KIX Code, Korea Post, Planet, Postnet, UK Royal Mail, UPU ID-tags

## Warranty :

Scanner is guaranteed for one year  
 Battery warranty: half a year offer lifetime maintenance

# GENERALSCAN

**Generalscan Electronics Co.; Ltd**

## Sales Center :

**Add:**Unit 2C15,Building 2, YuFeng Plaza,No.32,HeLongYi Road, HuangShi Street,Baiyun District,Guangzhou, China.510425

**Tel:** +86-20-36713951

**Fax:** +86-20-62351535

**Email :** sales@generalscan.com

**Web:**www.generalscan.com