

**Static balancing valves, 2-way, with threaded PN16**

- For closed cold and hot water systems
- For modulating water-side control of air handling units and heating systems


**Type overview**

Type	K <sub>vs</sub>	DN		ΔP <sub>s</sub>
	[m <sup>3</sup> /h]	[mm]	[in.]	
EXT-TI-SBV6050	55	50	2"	1600
EXT-TI-SBV6065	100	65	2-1/2"	1600
EXT-TI-SBV6080	140	80	3"	1600
EXT-TI-SBV6100	240	100	4"	1600
EXT-TI-SBV6125	400	125	5"	1600
EXT-TI-SBV6150	625	150	6"	1600
EXT-TI-SBV6200	980	200	8"	1600
EXT-TI-SBV6250	1320	250	10"	1600
EXT-TI-SBV6300	1720	300	12"	1600
EXT-TI-SBV6350	2450	350	14"	1600
EXT-TI-SBV6400	3080	400	16"	1600

**Technical data**

<b>Functional data</b>	Flow media	Cold and hot water, Refrigerant (R12, R22, R134a, R202), water with max. 50% volume of glycol, Hydrazine, Phosphate	
	Temperature of medium	-25°C ... +150°C	
	Rated pressure P <sub>s</sub>	1600kPa (PN16), PN25 (optional)	
	Flow characteristic	Control path A – AB: Linear	
	Leakage rate	Max. 0.02% of kvs value (DIN EN 1349 and DIN EN 60534-4)	
	Pipe connection	Flange to ISO 7005-2 (PN16)	
	Stroke	See «Type overview»	
	Valve closing point	Up (▲)	
	Installation position	Upright to horizontal (in relation to the stem)	
	Maintenance	Maintenance-free	
	<b>Materials</b>	Body	Ductile iron GGG40
		Valve cone	Stainless steel SS304
		Valve stem	Stainless steel SS304
Valve seat		Stainless steel SS304	
Handwheel		Die-casting aluminum	
<b>Dimensions / Weights</b>	Dimensions and weights	See «Dimensions and weights»	

**Safety notes**

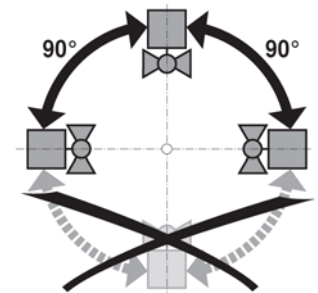


- This static balancing valve has been designed for use in stationary heating, ventilation and air-conditioning systems and is not allowed to be used outside the specified field of application, especially in aircraft or in any other airborne means of transport.
- It may only be installed by suitably trained personnel. All applicable legal or institutional installation regulations must be complied with.
- The valve does not contain any parts that can be replaced or repaired by the user.
- The valve is not allowed to be disposed of as household refuse. All locally valid regulations and requirements must be observed.
- The recognised rules should be applied when determining the flow characteristic of final controlling elements.

**Installation notes**

**Recommended mounting positions**

The static balancing valve may be mounted either **vertically** or **horizontally**. It is not permissible to mount the static balancing valve with the stem pointing downwards.



**Water quality requirements**

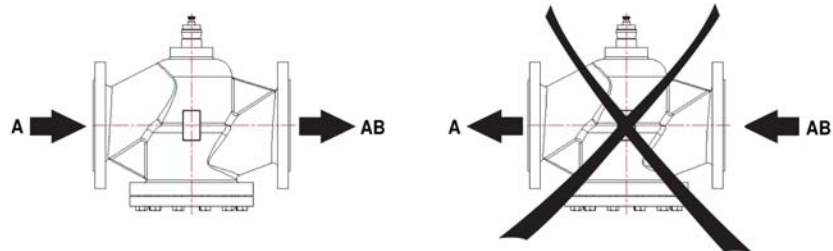
- The water quality requirements specified in VDI 2035 must be adhered to.
- The static balancing valve are relatively sensitive control devices. In order to ensure a long service life, it is advisable to fit **strainers**.

**Maintenance**

- The static balancing valve are maintenance-free.
- Any pumps in the part of the piping system concerned must also be switched off and the appropriate isolating fittings closed (allow everything to cool down first if necessary and reduce the pressure in the system to atmospheric).
- The system must not be returned to service until the static balancing valve have been properly reassembled in accordance with the instructions and the pipework has been refilled in the proper manner.

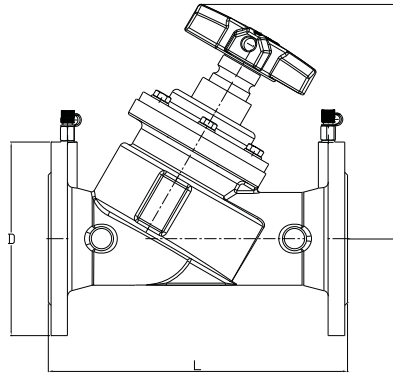
**Direction of flow**

- The direction of flow, specified by an arrow on the housing, is to be complied with, since otherwise the globe valve can be damaged.



## Dimensions and weights

### Dimensional drawings



DN	PN16		L mm	H mm
	Bolt aperture	D mm		
50	4-18	165	230	214
65	4-18	185	290	222
80	8-18	200	310	257
100	8-18	220	350	275
125	8-18	250	400	332
150	8-22	285	480	396
200	12-22	340	600	498
250	12-26	405	730	555
300	12-26	460	850	630
350	16-26	520	980	733
400	16-30	580	1100	823