

Globe valve, 2-way, Flange, PN 16

- For closed cold and warm water systems
- For water-side modulating control of air-handling and heating systems


Type overview

Type	DN []	kvs [m ³ /h]	Stroke [mm]	PN []	Sv min. []
H6200W630-S7	200	630	65	16	30
H6250W1000-S7	250	1000	65	16	30

Technical data

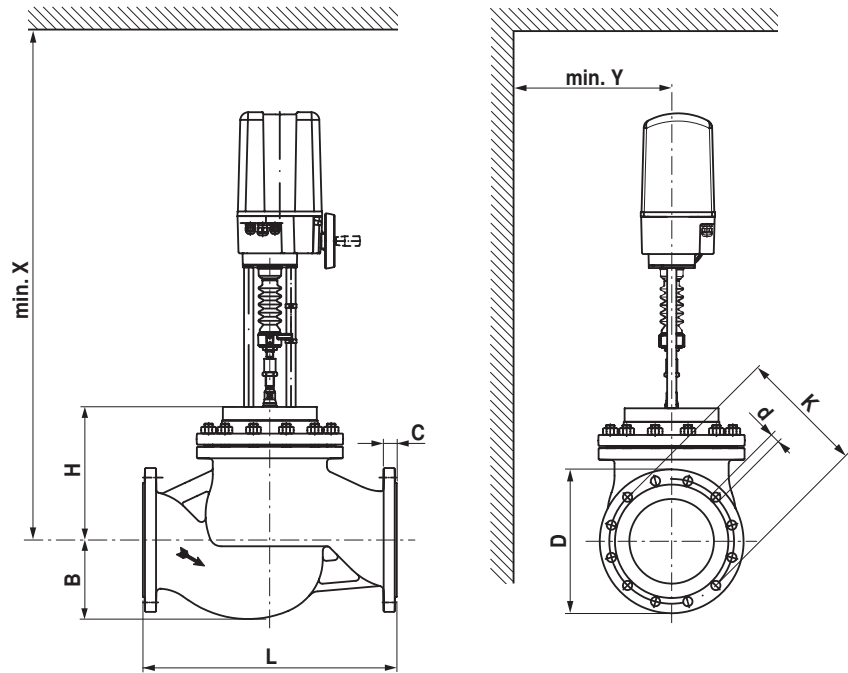
Functional data	Media	Cold and warm water, water with glycol up to max. 50% vol.
	Medium temperature	5...120 °C
	Permissible pressure ps	1600 kPa
	Flow characteristic	equal percentage (VDI/VDE 2173) n(gl) = 3, optimised in the opening range
	Leakage rate	max. 0.05% of the kvs value
	Pipe connectors	Flange according to ISO 7005-2 (PN 16)
	Closing point	Bottom (▼)
	Installation position	Upright to horizontal (in relation to the stem)
	Maintenance	Maintenance-free
	Materials	Housing
Closing element		Stainless steel
Stem		Stainless steel
Stem seal		EPDM ring
Seat		Stainless steel

Safety notes


- The valve has been designed for use in stationary heating, ventilation and air-conditioning systems and is not allowed to be used outside the specified field of application, especially in aircraft or in any other airborne means of transport.
- Only authorised specialists may carry out installation. All applicable legal or institutional installation regulations must be complied during installation.
- The valve does not contain any parts that can be replaced or repaired by the user.
- The valve may not be disposed of as household refuse. All locally valid regulations and requirements must be observed.
- When determining the flow rate characteristic of controlled devices, the recognised directives must be observed.

Dimensions / Weight

Dimensional drawings



X/Y: Minimum distance with respect to the valve centre.

Weight including GV.. long stroke actuator

The actuator dimensions can be found on the respective actuator data sheet.

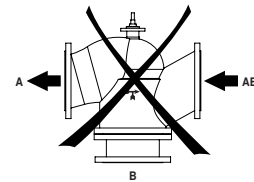
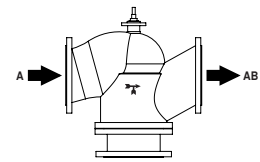
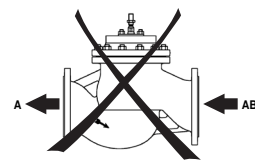
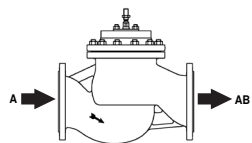
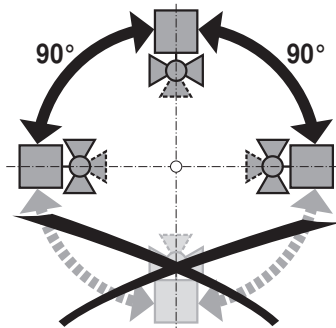
Type	DN []	L [mm]	B [mm]	H [mm]	C [mm]	D [mm]	d [mm]	K [mm]	X [mm]	Y [mm]	Weight approx. [kg]
H6200W630-S7	200	600	187	315	30	340	12 x 22	295	1210	200	150
H6250W1000-S7	250	730	233	375	32	405	12 x 26	355	1270	250	230

Further documentation

- Overview Valve-actuator combinations
- Data sheets for long stroke actuators
- Installation instructions for valves and/or long stroke actuators
- Notes for project planning 2-way and 3-way globe valves

BELIMO

H6..W..-S7
H7..W..-S7



		H6..W..-S7				H7..W..-S7												
$p_s < 1600 \text{ kPa}$ (PN 16) $t = +5^\circ\text{C} \dots +120^\circ\text{C}$																		
Ⓜ	DN		B	H	W		B	H	W	Δp_s	Δp_{max}	L	D	K	d	C	X	Y
	[mm]		[mm]	[mm]	[kg]		[mm]	[mm]	[kg]	[kPa]	[kPa]	[mm]	[mm]	[mm]	[mm]	[mm]	[mm]	[mm]
GV..	200	H6200W630-S7	187	315	156	H7200W630-S7	380	263	173	310	60	600	340	295	12 x 22	30	1210	200
	250	H6250W1000-S7	255	375	239	H7250W1000-S7	440	309	283	190	60	730	405	355	12 x 26	32	1270	250

70994-00001.G

