

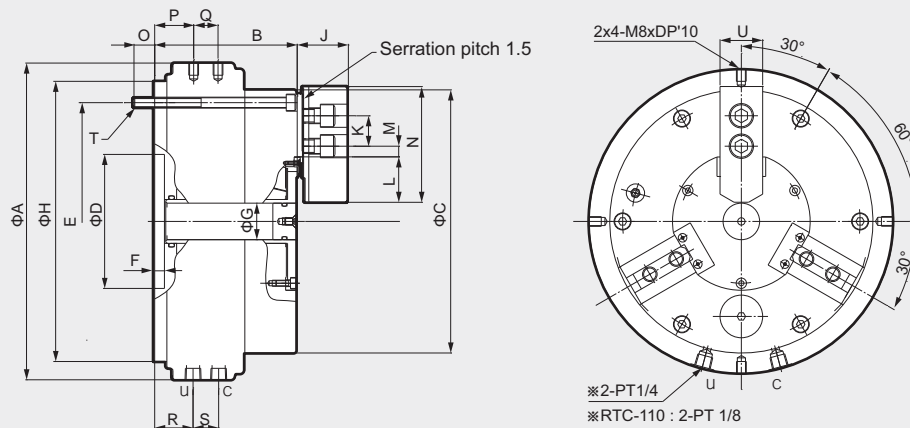
RTC

Rotary Table Chuck



- Self-Contained Cylinder Chuck for Compact Installation Area
- Compatible with NC Rotary Table
- Built-in Lock Valve
- Soft-Jaw (Standard) & Hard-Jaw (Optional)

PNEUMATIC CHUCK



It is recommended to grease chucks at least twice a day in order to maximize longevity.

Dimensions

	ΦA	B	ΦC	ΦD	E	F	ΦG	ΦH	J	K	Lmax.	Lmin.	Mmax.	Mmin.	N	O	P	Q	R	S	T	U
RTC-110	145	92	113	80	98	6	8	124	27	14	32.8	30.2	5.4	2.4	55	11	25.5	12.2	25.5	12.2	M6x95L	23
RTC-160	210	102	166	80	148	7	20	175	36	20	41.9	39.3	9.25	4.75	72	15	31	18	32.3	15.2	M8x105L	31
RTC-210	260	117	216	110	195	8	30	230	42	25	53	49.85	14.75	8.75	95	17	32	20	31.5	21	M8x125L	35
RTC-260	304	125	264	140	234	8	43	268	46	30	66	62.85	16	8.5	110	16	39.5	21	39.5	21	M10x130L	40

Specifications

Type	Thru Hole Dia.	Jaw Stroke Dia.	Plunger Stroke	Max. Static Gripping Force	Max. Pneumatic Pressure	Max. R.P.M.	Weight (included Soft Jaws)	GD ²
	[mm]	[mm]	[mm]	[kN(kgf)]	[MPa(kgf/cm ²)]	[min ⁻¹]	[Kg]	[N·m ² (kgf·m ²)]
RTC-110	8	5.2	11.3	7.5	0.7 (7)	100	7.3	-
RTC-160	20	5.2	11.5	21	0.7 (7)	72	22	-
RTC-210	30	6.3	13.7	33	0.7 (7)	50	27.7	-
RTC-260	43	6.3	13.6	48	0.7 (7)	50	42.5	-