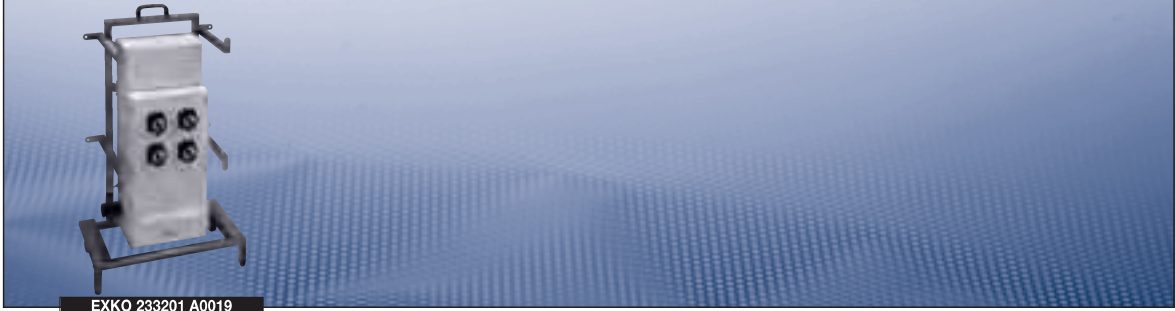


Ex-protected portable power supply units



EXKO 233201 A0019

Technical data

Ex-protected portable power supply EXKO 233201 A0019

Marking accd. to 94/9/EC	II 2 G Ex de IIC T4
EC-Type Examination Certificate	PTB 99 ATEX 1044
Permissible ambient temperature	-20 °C up to +55 °C
Rated voltage	240/42 V transformer, 400 VA
Rated current	16 A
Frequency	50 Hz
External back up fuse	16 A gL / gG
Insulation class	I
Degree of protection accd. to IEC 60529	IP65
Cable glands	1x M32 trumpet shaped cable gland, 1x M12 cable gland plastic
Enclosure material	sheet steel, painted (option stainless steel AISI 316L) wall socket: glass-fibre reinforced polyester, plug: polyamide
Dimensions (H x W x D)	metal frame stainless steel squared 20 x 20 x 2 with wheels 1062 x 612 x 336 mm
Weight	38 kg
Enclosure colour	RAL 7032

Ordering details

Components	Components external	Order No.
1x MCB S202M - K16A, 10kA	4x receptacle 16A 3-pole, 24V (GHG5425300V0000)	
1x Ex-d Sicherung 2x T 2A	4x plug 16A 3-pole, 24V (GHG5422300V0000)	
1x transformer 240/24V 400VA	actuating flap for components	EXKO 233201 A0019

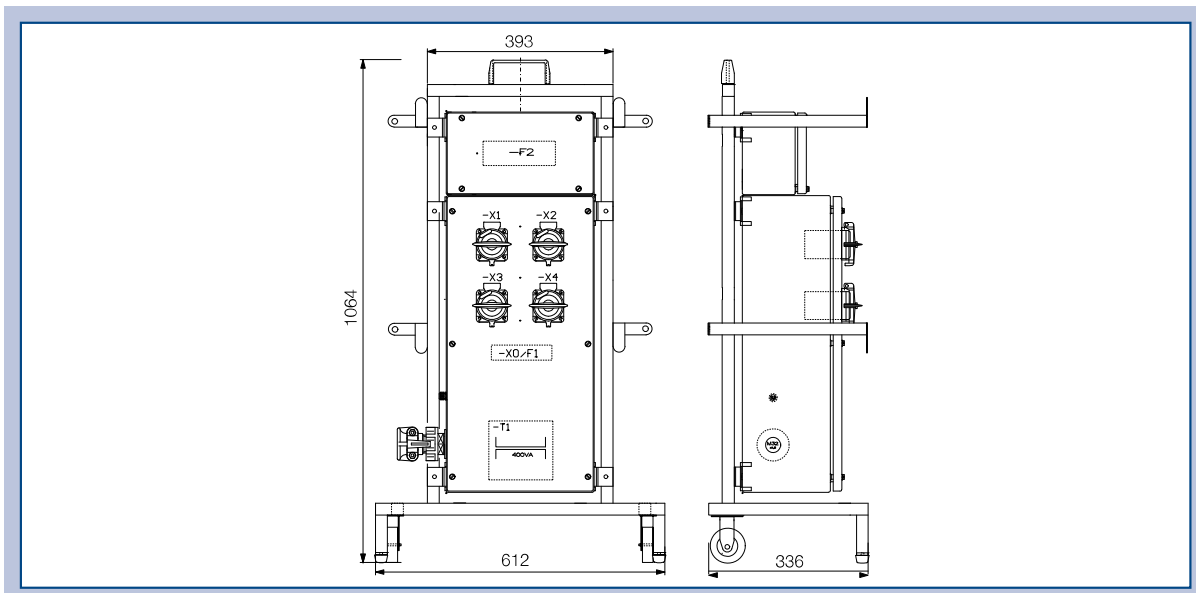
Option:

padlock facility for enclosure cover

Enclosure material sheet steel, painted oder stainless steel AISI 316L

Customized solution for connection cable, plugs & sockets and rated voltage

Dimension drawing



Dimensions in mm