

Ex-e/Ex-i terminal box



Ordering details

Design	Cable gland	Terminals	Order No.
Type 731 11 up to 16 terminals assembled with screw terminals 2 x 2.5 mm ² + PE/PA-rail 2.5 mm ²			
Ex-e	without drilling	1 x Ex-e*/UT 3 N/7 x PE/PA	GHG 731 1102 R0531
Ex-e	without drilling	14 x Ex-e/UT 5 N/7 x PE/PA	GHG 731 1102 R1088
Ex-e	4 x M25	16 x Ex-e/UT 3 N/7 x PE/PA	GHG 731 1102 R1485
Type 731 12 up to 24 terminals assembled with screw terminals 2 x 2.5 mm ² + PE/PA-rail 2.5 mm ²			
Ex-e	without drilling	1 x Ex-e*/UT 3 N/14 x PE/PA	GHG 731 1202 R0387
Ex-e	without drilling	24 x Ex-e/UT 5 N/14 x PE/PA	GHG 731 1202 R0976
Ex-e	4 x M25	28 x Ex-e/UT 3 N/14 x PE/PA	GHG 731 1202 R1345

* according to type examination certificate individual extensible

Accessories

Mounting plate for junction box 731 11

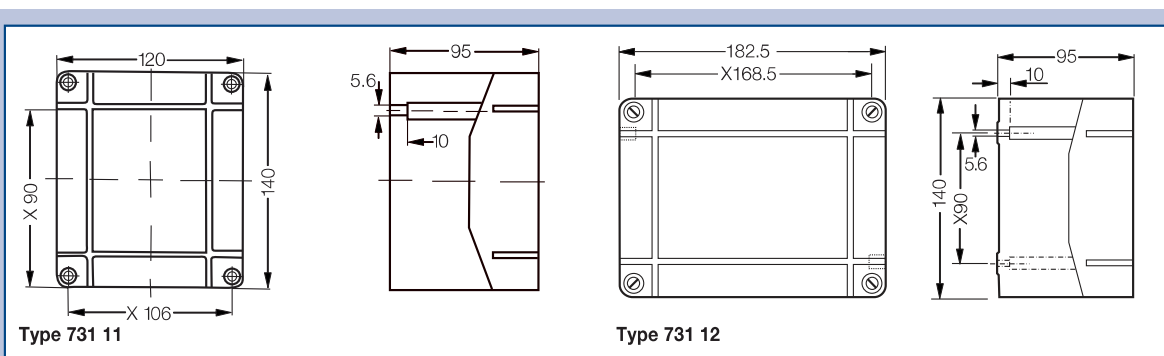
Type	Application	Fixing method	Order No.
Size 2	Wall mounting	screwless mounting	GHG 610 1953 R0104
Size 2	Trellis mounting	screwless mounting	GHG 610 1953 R0106
Size 2	Pipe mounting	screwless mounting	GHG 610 1953 R0105
Protective canopy Size 2	for mounting plate size 2		GHG 610 1955 R0102

Mounting plate for junction box 731 12

Type	Application	Fixing method	Order No.
Size 2A	Wall mounting	screwless mounting	GHG 610 1953 R0107
Size 2A	Trellis mounting	screwless mounting	GHG 610 1953 R0109
Size 2A	Pipe mounting	screwless mounting	GHG 610 1953 R0108
Protective canopy Size 2A	for mounting plate size 2A		GHG 610 1955 R0103

Details for accessories see page 7.78 pp.

Dimension drawing



Dimensions in mm